

www.somfy.com Power 1.0 DC Flush installation instructions



Please read this installation guide carefully so that you can ensure that the product functions reliably. Somfy shall not be liable for any defects or damages if these are caused by use outside the field of application or the failure to observe this installation guide (incorrect installation, incorrect commissioning, incorrect operation, etc.).

The Power 1.0 DC Flush power supply is designed to supply power to 24 V DC motors. Due to its small dimensions, it can be installed in a surface box or a flush-mounted box. The output voltage is 24 V DC regulated.

1 Safety instructions

To ensure the safety of individuals, it is important to follow these instructions.

Incorrect installation can lead to serious injury.

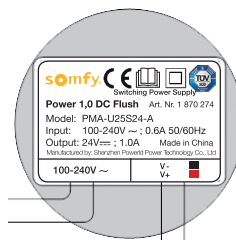
Attention: Keep these safety instructions.

- Only a qualified person may set up, test, commission and perform troubleshooting on the installation.
- Switch off the voltage to all of the connection lines which are to be installed before working on the installation. Remove all lines that are not needed and take out of operation all equipment that is not required for actuation with the motor.
- Follow the installation and operating instructions, particularly the safety instructions for the equipment to be operated.

2 Technical data

Operating voltage:	230 V~ 50/60 Hz
Output voltage no-load:	24 V DC
Continuous current:	Max. 1.0 A
Temporary current:	1.5 A
Overload switch-off:	100 ms > 1.6 A
Index protection rating:	II
Safety level:	IP 20
Number of motors that can be connected:	1
Dimensions H x W x D in mm:	51 X 49 X 25
Operating temperature:	-25 °C to + 40 °C

Attention: Installation must take place in a flush-mounted box/patress box (e.g. 55 mm).



somfy®

3 Electrical connection

Only a qualified electrician (VDE 1000 -10 [Association of German Engineers]) may set up, test, commission and perform troubleshooting on the installation.

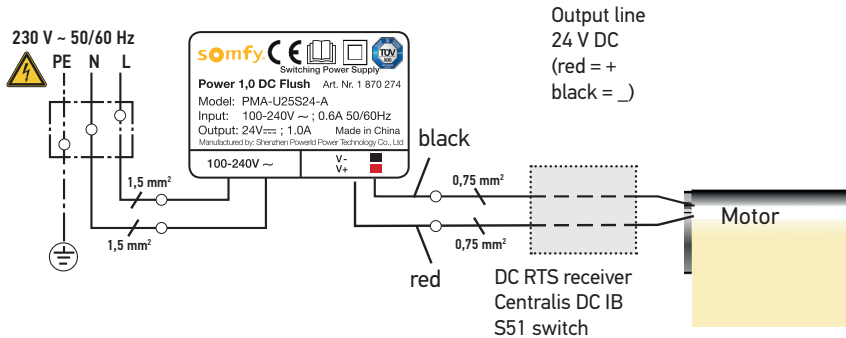
Switch off the voltage to all of the connection lines which are to be installed.

Take safety precautions to prevent the installation from being switched on unintentionally.

Exposed power lines → Risk if contact is made, electric shock.

-Switch off the voltage to all of the connection lines which are to be installed.

-Take safety precautions to prevent the installation from being switched on unintentionally.



24 V DC RTS motors are supplied directly from the power supply

Note: Observe the relevant installation guides (e.g. relating to polarity) when connecting the motors/control units.

Somfy shall not be liable for any defects or damages caused by the failure to observe this installation guide. Somfy hereby declares that this product conforms to the essential requirements and other relevant provisions of Directive 2014/35/E. A declaration of conformity is available on the website www.somfy.com/CE.

SOMFY ACTIVITÉS SA

50 avenue du Nouveau Monde
74300 CLUSES, FRANCE

www.somfy.com