

WireFree™

Roll Up WireFree™ R28 RTS Li-ion
Roll Up WireFree™ R28 RTS

Sonesse ULTRA 30® WireFree RTS Li-ion
Sonesse 30® WireFree RTS Li-ion

Cord Lift WireFree™ CL32 RTS

Tilt 50 WireFree™ RTS

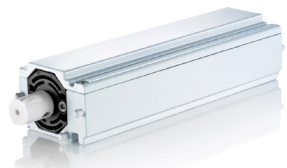
Databook



Roll Up WireFree™ R28 RTS



Tilt 50 WireFree™ RTS



CordLift WireFree™ CL32 RTS



Sonesse 30® WireFree Li-ion RTS

Why Somfy?



Somfy® is the leading global manufacturer of strong, quiet motors with electronic and app controls for interior window coverings and exterior solar protections. Over 270 million users worldwide enjoy the more than 170 million motors produced by Somfy. During the past 50 years, Somfy engineers have designed products for both the commercial and residential markets to motorize window coverings such as interior shades, wood blinds, draperies, awnings, rolling shutters, exterior solar screens and projection screens. Somfy motorization systems are easily integrated with security, HVAC and lighting systems providing total home or building automation.

Somfy has a committed customer support team comprised of Somfy motor and control specialists available for assistance:

Somfy Corporate Headquarters
800-22-SOMFY (76639)

General Customer Service
877-210-5327
CustomerService_us@somfy.com

Standard Purchase Order
Ordering_us@somfy.com

Rush Purchase Order
ExpeditedShippingOrders_us@somfy.com

Accounting Inquiries
AccountsReceivable@somfy.com

Technical Support
877-233-0019
TechnicalSupport_us@somfy.com

Warranty Claim Requests
us_Return@somfy.com

- Somfy has a production capacity of more than 70,000 motors per day.
- Somfy motors have over 600 approved standards worldwide.
- Somfy has certified over 100 patents since the year 2000.
- Every Somfy motor goes through an extensive quality assurance process including testing in extreme environmental conditions, for electrostatic discharge, mechanical shock, and high life cycle.
- Somfy has a network of 15,000 trained professional installers throughout the world.



Somfy operates in 60 countries, with 76 subsidiaries, and 60 agencies spread across 5 continents. With 8 production centers, Somfy is an efficient and reactive industry leader. Thanks to its strict quality standards, Somfy is able to satisfy the needs of over 270 million users worldwide.



Somfy understands that training and support are critical to success. Somfy's Expert Program provides a platform for those who want to enhance their expertise of motorization and control solutions. Visit www.somfysystems.com/expert-program to learn more.

TABLE OF CONTENTS

INTRODUCTION	3
---------------------------	----------

MOTOR SPECIFICATIONS AND HARDWARE SYSTEMS

Roll Up 28 WireFree™ RTS Li-ion Motor Specifications	4
Roll Up 28 WireFree™ RTS Motor Specifications	5
Roll Up WireFree™ R28 RTS Motor Specifications	6
Roll Up 28 WireFree™ RTS Hardware Systems	
RollEase® R-Series System and ZMC XR-Series System	7
RollEase® Skyline System and ZMC XL-Series System	8
Louvolute® System and ZMC RS-Series System	9
Roll Up 28 WireFree™ RTS Crowns and Drives	10
Sonnesse ULTRA 30® WireFree RTS Li-ion Motor Specifications	11
Sonnesse 30® WireFree RTS Li-ion Motor Specifications	12
Sonnesse 30® WireFree RTS Hardware Systems	
Acmeda Series	13
Somfy Decorator Type	14
RollEase® Standard and ZMC XR-Series System	15
RollEase® Skyline System and ZMC XL-Series System	16
Louvolute® System 40 and ZMC RS-Series System	17
Somfy CTS40	18
Sonnesse 30® WireFree RTS Crowns and Drives	19
Cord Lift WireFree™ CL32 RTS Motor Specifications	20
Cord Lift WireFree™ CL32 RTS Hardware Systems	21
Tilt 50 WireFree™ RTS Motor Specifications.....	22
Tilt 50 WireFree™ RTS Hardware Systems	23
Tilt WireFree™ TO RTS Motor Specifications	24
Tilt WireFree™ TO RTS Hardware Systems	25

CONTROL ACCESSORIES

Radio Technology Somfy® RTS	26, 27
-----------------------------------	--------

POWER ACCESSORIES

<u>Non Lithium-ion Motors</u>	
Solar Pack and Accessories	28
Batteries and Accessories	28
Transformers and Accessories	28
<u>Lithium-ion Motors</u>	
Chargers and Extension Cables	29

DECOFLEX BUTTON ENGRAVING ORDER FORM

30

RollEase® is a registered trademark of RollEase®, Inc. - Stamford, CT.
Louvolute® is a registered trademark of Louver-lite Limited.
Hunter Douglas® is a registered trademark of Hunter Douglas Industries Switzerland GMBH Corporation- Luzern, Switzerland.
Comfortex® is a registered trademark of Comfortex Corporation - New York, NY.
RadioRA® 2, HomeWorks® QS, GRAFIK Eye® QS, and Quantum® are a registered trademark of Lutron Electronics Inc.
Energizer® is a registered trademark of Energizer Battery Company, Inc.
Z-Wave® is a registered trademark of Zensys, Inc. and its subsidiaries.
Zigbee® is a registered trademark of Zigbee Alliance.
Amazon, Alexa, and all related logos are the trademarks of Amazon.com, Inc. or its affiliates.
All brands, products and trademarks are the property of their respective owners.

Conveniently WireFree

This document is a presentation of the accessories and specifications related to the WireFree motor range. It provides the technical information needed to order, fabricate, and sell battery-powered motors. For additional information regarding any of the products in this document including motors, power sources, controls, interfaces etc., please visit www.somfy.com/wirefree.

Somfy offers an innovative and simple line of completely battery-powered WireFree motors. These motors install in minutes and provide a perfect solution for hard-to-reach window coverings and offer solutions in areas where access to wiring may be a challenge. This allows users to create the best living environment with optimal natural light levels at the press of a button without the need for an electrician. The WireFree motors are available with a variety of power and control options and easily integrate with home automation systems.



Radio Technology Somfy® (RTS) allows wireless radio control of motorized window coverings via the RTS family of controls.

- Hand-held, wall switch, table top and app controls
- Automatic timer and sun controls
- Easily integrates with third-party control systems

Solar/Roller Shades



Sheer Horizontal Shades



Roman/Woven Shades



Pleated/Cellular Shades



Horizontal Blinds



Layered Shades



As with all Somfy products, the WireFree motors are backed by a 5 year warranty.

ROLL UP 28 WIREFREE™ RTS (LI-ION)

Part #1240291



Offers control via Radio Technology Somfy® (RTS)

Applications

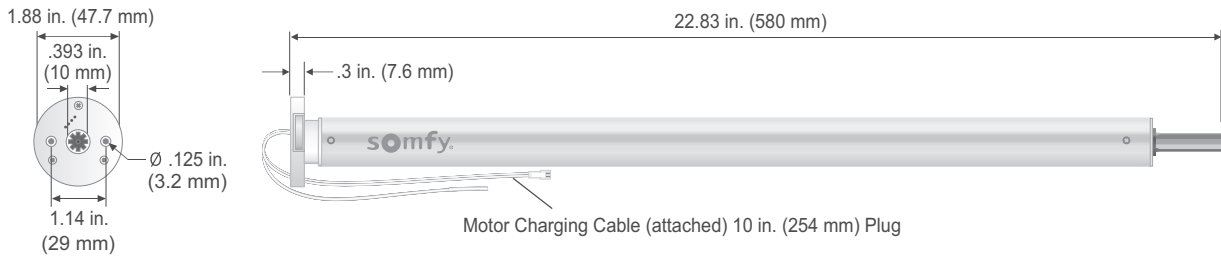


Technical Features

Voltage Supply	12V DC
Index Protection Rating (interior use only)	IP 20
Limit Switch Type	Electronic

Temperature Working Range	32°F to 140°F (0°C to 60°C)
Insulation Class	Class III
Antenna	17.5 cm wire length, must not be cut or lengthened. For greatest RF range, must not be exposed and should not come in contact with metal surfaces. RF wire may need to be repositioned for optimal performance.

Dimensions



Specifications

Nominal Torque	1.1 Nm
Nominal Speed	20 rpm
Adjustable Speed	10-28 by increment of 2 rpm
Radio Protocol	RTS
Radio Frequency	433.42 MHz
Battery Type	12V 2600 mAh (built-in Lithium-ion)
Battery Autonomy	Only recharge once per year*
Charging Time	< 4.5 hours
Low Battery Indicator	LED (on motor head)

Certifications



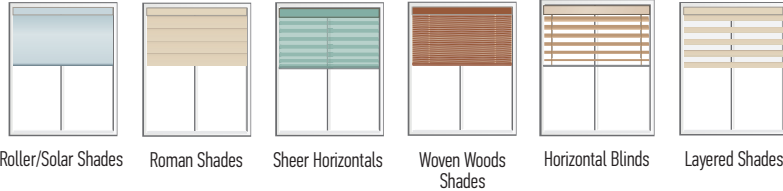
ROLL UP 28 WIREFREE™ RTS

#1240292



Offers control via Radio Technology Somfy® (RTS)

Applications

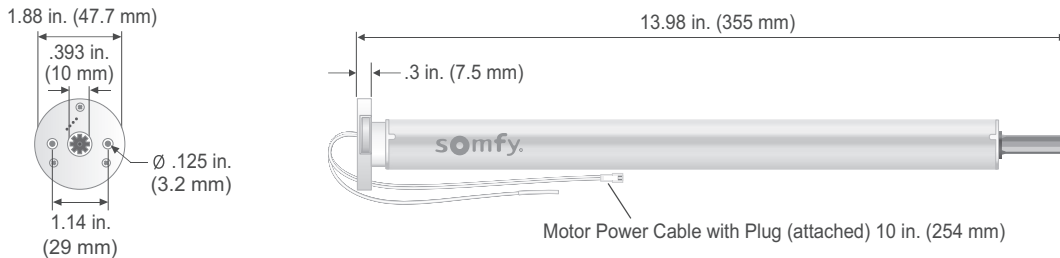


Technical Features

Voltage Supply	12V DC
Index Protection Rating (interior use only)	IP 20
Limit Switch Type	Electronic

Temperature Working Range	32°F to 120°F (0°C to 50°C)
Insulation Class	Class III
Antenna	17.5 cm wire length, must not be cut or lengthened. For greatest RF range, must not be exposed and should not come in contact with metal surfaces. RF wire may need to be repositioned for optimal performance.

Dimensions



Specifications

Nominal Torque	1.1 Nm
Nominal Speed	28 rpm
Adjustable Speed	10-28 by increments of 2 rpm
Radio Protocol	RTS
Radio Frequency	433.42 MHz
Power Supply	External primary* or rechargeable battery**
Low Battery Indicator	LED (on motor head)

Certifications



* Lithium batteries or plug in transformer

** New Rechargeable Li-ion battery pack (2600 mAh)

** Rechargeable Ni-MH batteries with Solar Panel

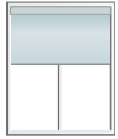
ROLL UP WIREFREE™ R28 RTS

Part # 1002481

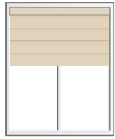


Offers control via Radio Technology Somfy® (RTS)

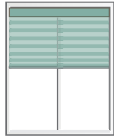
Applications



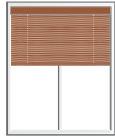
Roller/Solar Shades



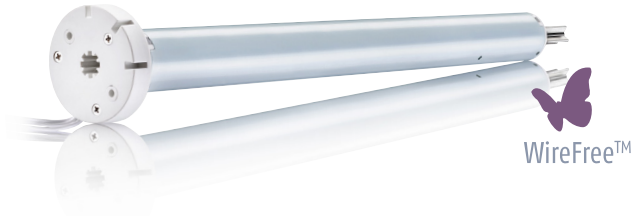
Roman Shades



Sheer Horizontals



Woven Wood Shades



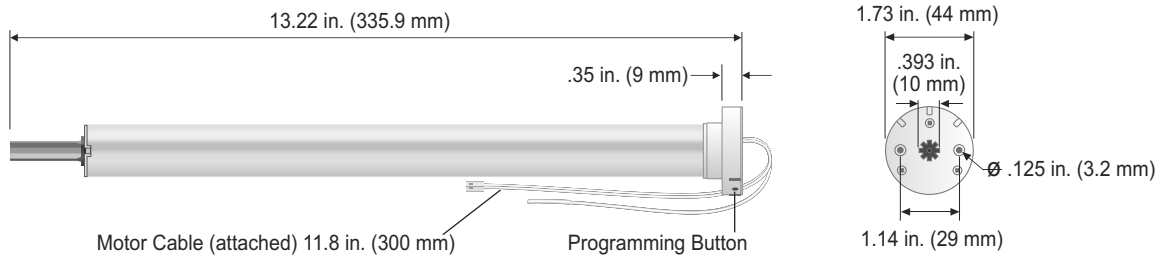
Technical Features

Voltage Supply	DC
Index Protection Rating	IP 20
Limit Switch Type	Electronic
Limit Switch Capacity	110 Turns

Temperature Working Range	32°F to 140°F (0°C to 60°C)
Insulation Class	Class III

Antenna RF antenna wire must be exposed and should not come in contact with metal surfaces for greatest RF range. RF wire may need to be repositioned for optimal performance. RF Antenna wire must not be cut.

Dimensions - in. (mm)



Specifications

Voltage	12V DC
Torque	1.1 Nm
Thermal Protection	2.5 minutes
Over Current Protection	2 amps
*Sound Level	48 dBA - 56dBA
Power Supply	External primary** or rechargeable battery***
Speed	28 rpm
Radio Frequency for RTS	433.42 MHZ

* According to standards ISO 3741 NF 31022 in dB(A) ref. IOW

** Lithium batteries or plug in transformer

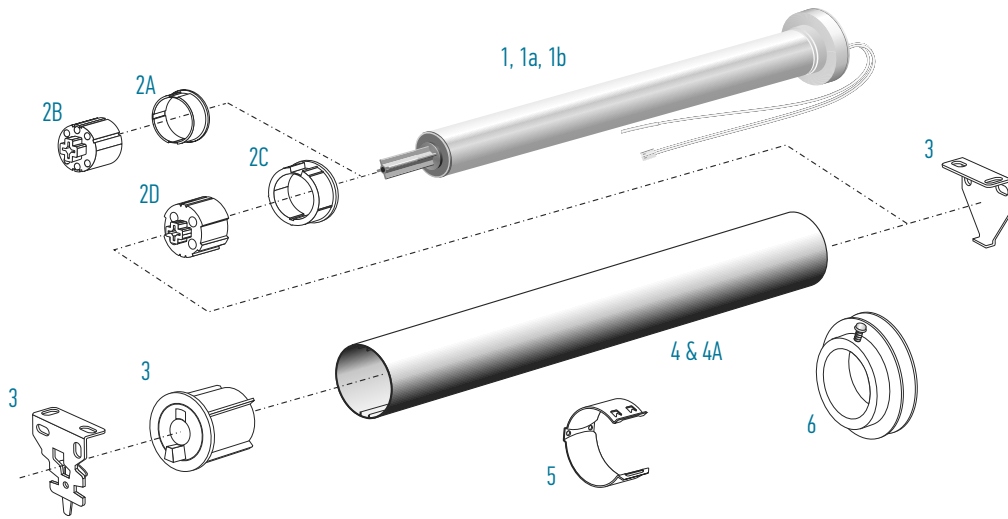
*** New Rechargeable Li-ion battery pack (2600 mAh)

*** Rechargeable Ni-MH batteries with Solar Panel

ROLL UP 28 WIREFREE™ RTS HARDWARE SYSTEMS

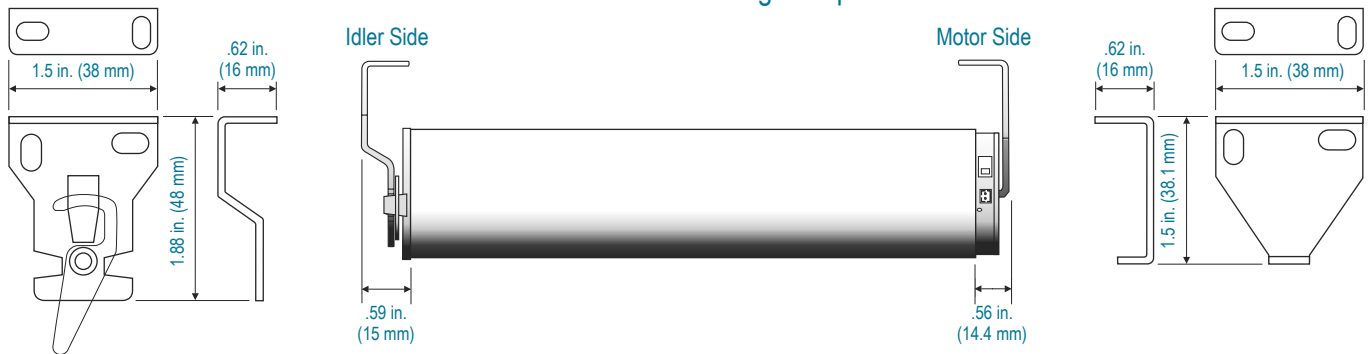
RollEase® R-Series & ZMC XR-Series

STANDARD BRACKET COMPONENTS



DIMENSIONS AND LIGHT GAP SPECIFICATIONS

Standard Brackets Light Gap



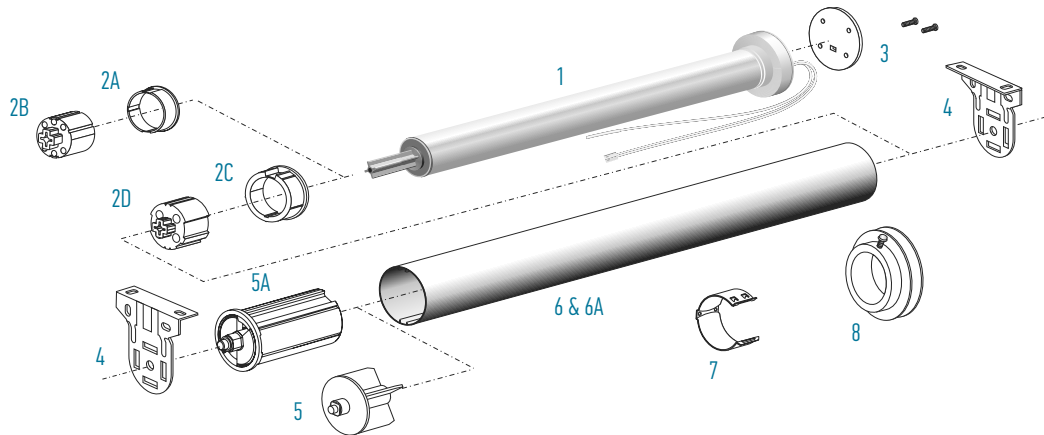
PRODUCT CHART

IMAGE	DESCRIPTION	CATALOG NUMBER
1	ROLL UP 28 WIREFREE™ RTS MOTORS (1240291, 1240292, 1002481)	
2A	CROWN (FOR ROLLEASE® 1.25" TUBE & ZMC 1.25" Z-TUBE)	9018474
2B	DRIVE (FOR ROLLEASE® 1.25" TUBE & ZMC 1.25" Z-TUBE)	9018476
2C	CROWN (FOR ROLLEASE® 1.5" TUBE & ZMC 1.5" Z-TUBE)	9018475
2D	DRIVE (FOR ROLLEASE® 1.5" TUBE & ZMC 1.5" Z-TUBE)	9018477
3	ROLLEASE® 1.5" PROJECTION BRACKET KIT R8 SERIES & ZMC 1.5" PROJECTION XR-SERIES BRACKETS	Contact Somfy/ZMC
4	ROLLEASE® 1.25" TUBE & ZMC 1.25" Z-TUBE	Contact Somfy/ZMC
4A	ROLLEASE® 1.5" TUBE	9017913
4A	ZMC 1.5" Z-TUBE	Contact ZMC
5	CORD CLIPS (FOR ROLLEASE® 1.5" TUBE & ZMC 1.5" Z-TUBE)	9012200
6	TAKE-UP REEL (FOR ROLLEASE® 1.5" TUBE & ZMC 1.5" Z-TUBE)	1780786

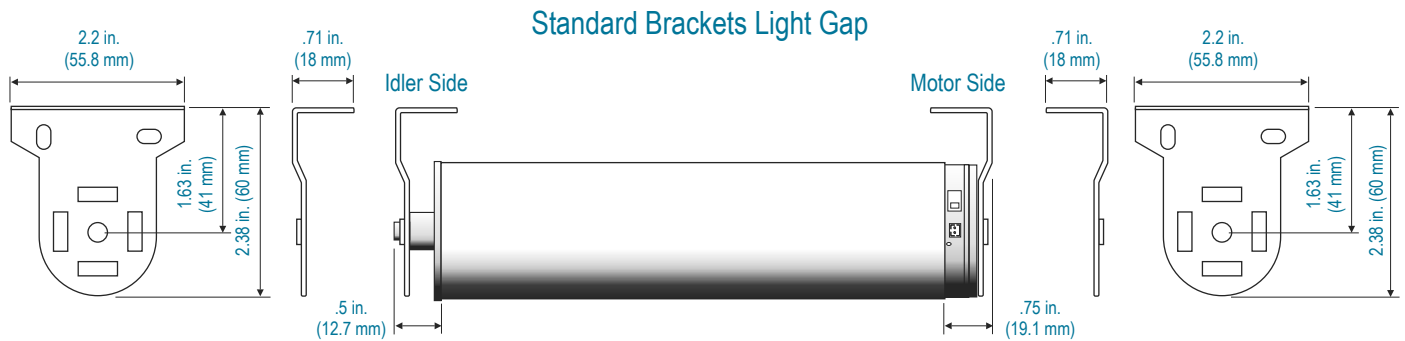
ROLL UP 28 WIREFREE™ RTS HARDWARE SYSTEMS

RollEase® Skyline & ZMC XL-Series

STANDARD BRACKET COMPONENTS



DIMENSIONS AND LIGHT GAP SPECIFICATIONS

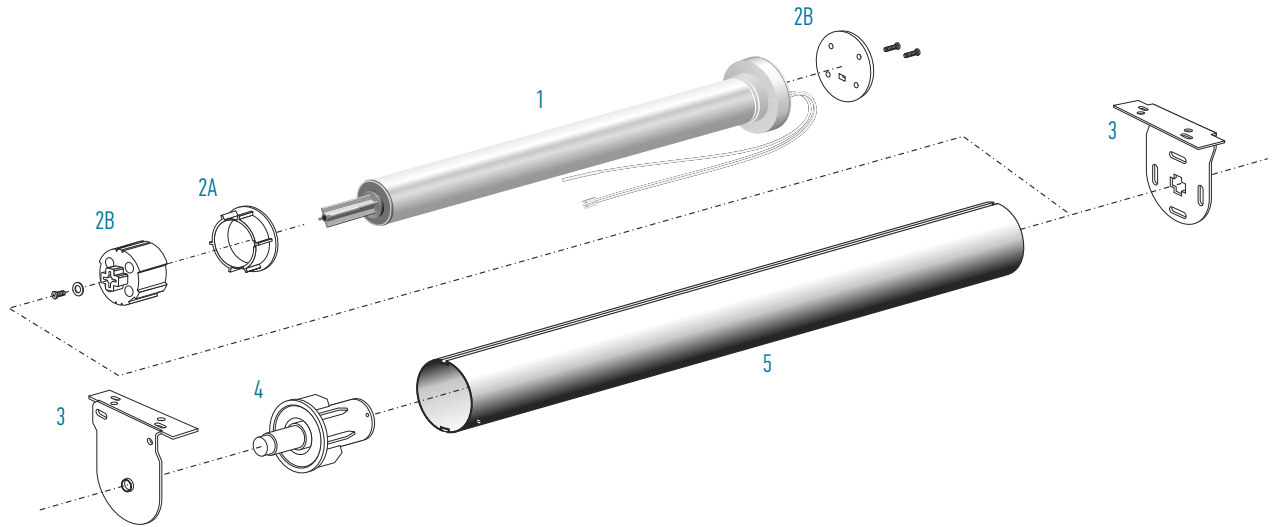


PRODUCT CHART		
IMAGE	DESCRIPTION	CATALOG NUMBER
1	ROLL UP 28 WIREFREE™ RTS MOTORS (1240291, 1240292, 1002481)	
2A	CROWN (FOR ROLLEASE® 1.25" TUBE & ZMC 1.25" Z-TUBE)	9018474
2B	DRIVE (FOR ROLLEASE® 1.25" TUBE & ZMC 1.25" Z-TUBE)	9018476
2C	CROWN (FOR ROLLEASE® 1.5" TUBE & ZMC 1.5" Z-TUBE)	9018475
2D	DRIVE (FOR ROLLEASE® 1.5" TUBE & ZMC 1.5" Z-TUBE)	9018477
3	MOTOR ADAPTOR PLATE FOR ROLLEASE® SKYLINE BRACKETS W/SCREWS & ZMC XL BRACKET	9016378
4	SKYLINE SERIES BRACKETS 1.5" PROJECTION (ROLLEASE®) (2 REQUIRED)	9017910
4	XL-SERIES BRACKETS 1.5" PROJECTION (ZMC) (1 PAIR REQUIRED)	Contact ZMC
5	SKYLINE SERIES IDLER END PLUG (FOR ROLLEASE® 1.25" TUBE)	Contact Somfy
5	XL-SERIES IDLE END (FOR ZMC 1.25" Z-TUBE)	Contact ZMC
5A	SKYLINE SERIES HEAVY DUTY IDLER END PLUG (FOR ROLLEASE® 1.5" TUBE)	9017912
5A	XL-SERIES IDLE END (FOR ZMC 1.5" Z-TUBE)	Contact ZMC
6	ROLLEASE® STYLE 1.25" TUBE & ZMC 1.25" Z-TUBE	Contact Somfy/ZMC
6A	ROLLEASE® STYLE 1.5" TUBE	9017913
6A	ZMC 1.5" Z-TUBE	Contact ZMC
7	CORD CLIPS (FOR ROLLEASE® 1.5" TUBE & ZMC 1.5" Z-TUBE)	9012200
8	TAKE-UP REEL (FOR ROLLEASE® 1.5" TUBE & ZMC 1.5" Z-TUBE)	1780786

ROLL UP 28 WIREFREE™ RTS HARDWARE SYSTEMS

LouvLite® System 40 & ZMC RS-Series

STANDARD BRACKET COMPONENTS



DIMENSIONS AND LIGHT GAP SPECIFICATIONS

Standard Brackets Light Gap

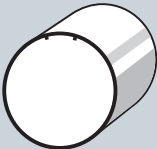

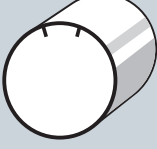



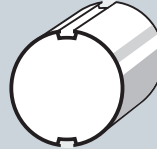

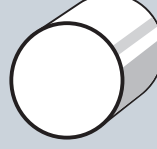

PRODUCT CHART

IMAGE	DESCRIPTION	CATALOG NUMBER
1	ROLL UP 28 WIREFREE™ RTS MOTORS (1240291, 1240292, 1002481)	1002481
2A	CROWN (FOR LOUVOLITE 1 5/8" TUBE & ZMC 1.5" RS-TUBE)	9018588
2B	DRIVE (FOR LOUVOLITE 1 5/8" TUBE & ZMC 1.5" RS-TUBE) INCLUDES MOTOR ADAPTOR PLATE WITH SCREWS	9018598
3	MOTOR & IDLER BRACKET KIT (FOR LOUVOLITE® STYLE SYSTEM 40 & ZMC RS-SERIES)	9013715
4	COLLAPSIBLE END PLUG (FOR LOUVOLITE® STYLE SYSTEM 40 & ZMC RS-SERIES)	9013716
5	LOUVOLITE® STYLE 40 MM TUBE & ZMC 1.5" RS-TUBE	Contact Somfy/ZMC

ROLL UP 28 WIREFREE™ RTS

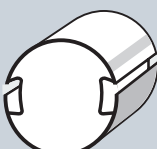

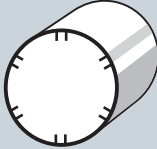

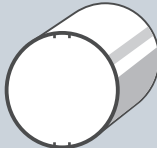

Crowns & Drives

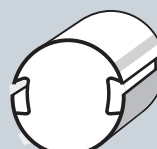

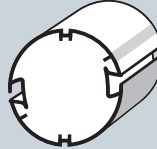

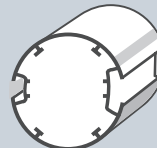
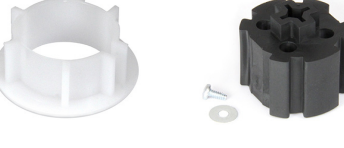
 <p>ø 1.25 in. / 32 mm RollEase®</p>	 <p>Crown #9018474</p> <p>Drive #9018476</p> <p>RollEase® 1.25" Tube</p>
 <p>ø 1.5 in. / 38 mm RollEase®</p>	 <p>Crown #9018475</p> <p>Drive #9018477</p> <p>RollEase® 1.5" Tube</p>

 <p>ø 1.625 in. / 41.28 mm Louvolite® System 40</p>	 <p>Crown #9018588</p> <p>Drive #9018598</p> <p>Louvolite® 1.625" Tube</p>
 <p>ø 1.05 in. / 26.6 mm ID Round Tube (Standard)</p>	 <p>Crown (Supplied with motor)</p> <p>Drive #9018478</p>

SPECIALTY APPLICATIONS - Crown and drives may not be suitable for all applications.

NOTE: Please confirm manufacturers current tube profile corresponds to illustrations shown.

 <p>Silhouette® Hunter Douglas</p>	 <p>Crown #9018590</p> <p>Drive #9018600</p> <p>Silhouette® (post March '04) Not compatible with 1240291 & 1240292</p>
 <p>Shangri-La / Vienna Comfortex® / Turnils</p>	 <p>Crown #9018587</p> <p>Drive #9018597</p> <p>Shangri-La® / Vienna Tube</p>
 <p>HD ø 31mm</p>	 <p>Crown #9018583</p> <p>Drive #9018591</p>

 <p>Vignette® Hunter Douglas</p>	 <p>Crown #9018585</p> <p>Drive #9018595</p> <p>Vignette® Not compatible with 1240291 & 1240292</p>
 <p>Shangri-La / Vienna Comfortex® / Turnils New Style</p>	 <p>Crown #9019851</p> <p>Drive #9019852</p> <p>Shangri-La® / Vienna Tube</p>
 <p>HD ø 37mm</p>	 <p>Crown #9018586</p> <p>Drive #9018593</p>

SONESSE® ULTRA 30 WIREFREE RTS (LI-ION)

Part #1003310



Offers control via Radio Technology Somfy® (RTS)

Applications

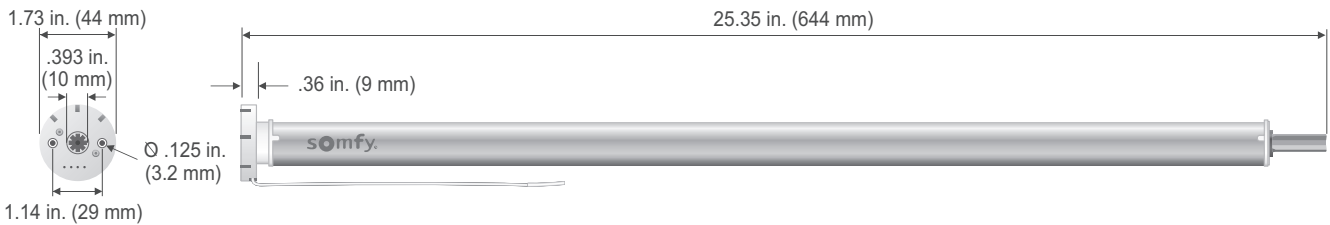


Technical Features

Voltage Supply	12V DC
Index Protection Rating (interior use only)	IP 20
Limit Switch Type	Electronic
Temperature Working Range	32°F to 140°F (0°C to 60°C)

Temperature Storage Range	-4°F to 140°F (-20°C to 60°C)
Insulation Class	Class III
Antenna	15 cm wire length, must not be cut or lengthened. For greatest RF range, must not be exposed and should not come in contact with metal surfaces. RF wire may need to be repositioned for optimal performance.

Dimensions



Specifications

Nominal Torque	2 Nm
Nominal Speed	20 rpm
Adjustable Speed	10-28 by increment of 2 rpm
Sound Level	dBA <38
Radio Protocol	RTS
Radio Frequency	433.42 MHz
Battery Type	12V 2600 mAh (built-in Lithium-ion)
Battery Autonomy	Only recharge once per year*
Charging Time	< 4.5 hours
Low Battery Indicator	LED (on motor head)

Certifications



* Based on one cycle (up and down) per day.

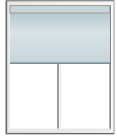
SONESSE® 30 WIREFREE RTS (LI-ION)

#1003128



Offers control via Radio Technology Somfy® (RTS)

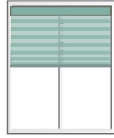
Applications



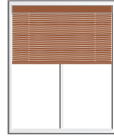
Roller/Solar Shades



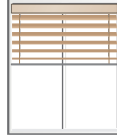
Roman Shades



Sheer Horizontals



Woven Wood Shades



Horizontal Blinds



Features Somfy patented Modulis control, capable of precision tilting of blind slats.

Technical Features

Voltage Supply 12V DC

Index Protection Rating IP 20
(interior use only)

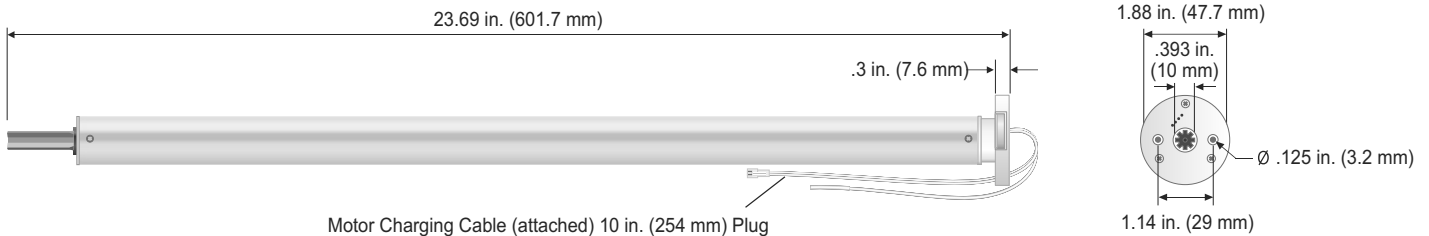
Limit Switch Type Electronic

Temperature Working Range 32°F to 140°F (0°C to 60°C)

Insulation Class Class III

Antenna RF antenna wire must be exposed and should not come in contact with metal surfaces for greatest RF range. RF wire may need to be repositioned for optimal performance. RF antenna wire must not be cut.

Dimensions

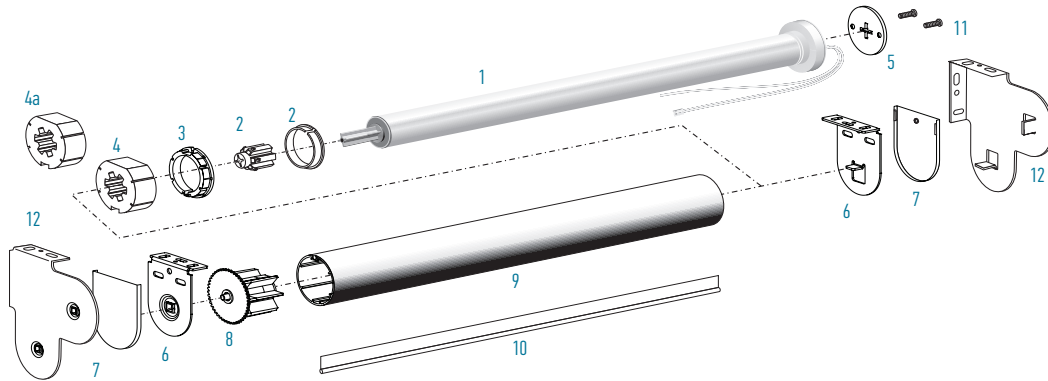


Specifications

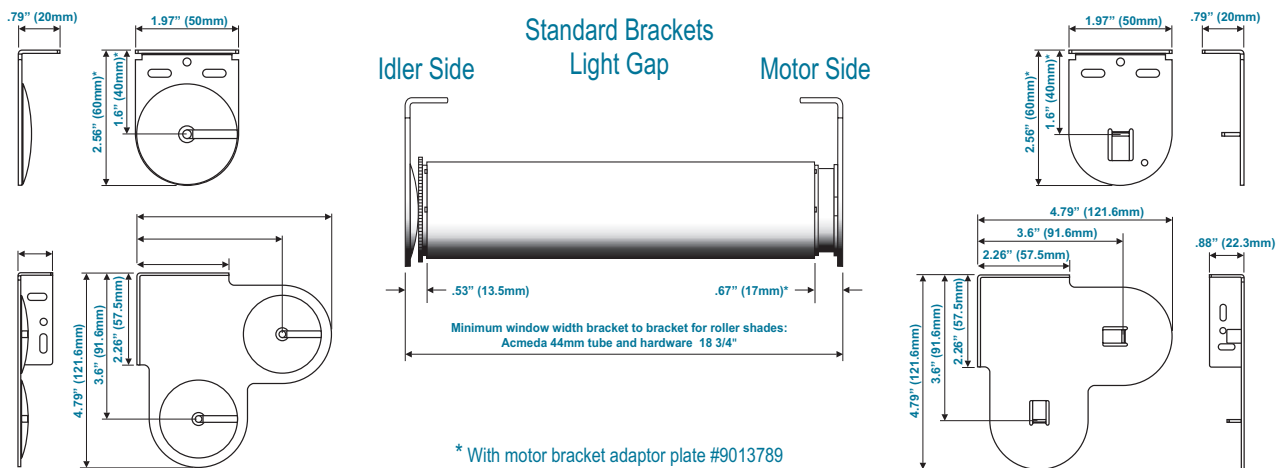
Voltage	12V DC
Torque	2 Nm
Sound Level	44 dBA
Speed	10-28 rpm adjustable
Low Battery Indicator	LED
Radio Frequency for RTS	433.42 MHZ

SONESSE® 30 WIREFREE RTS LI-ION HARDWARE SYSTEMS - Acmeda

STANDARD BRACKET COMPONENTS



DIMENSIONS AND LIGHT GAP SPECIFICATIONS

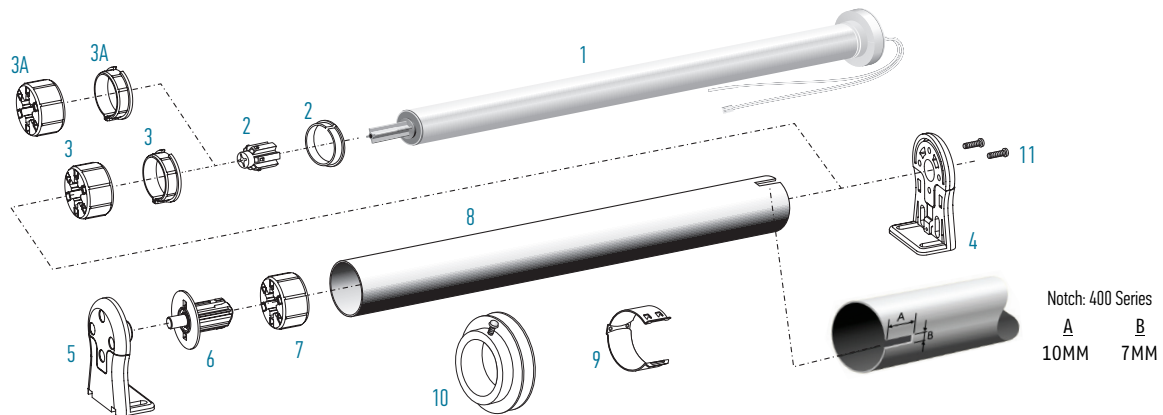


PRODUCT CHART

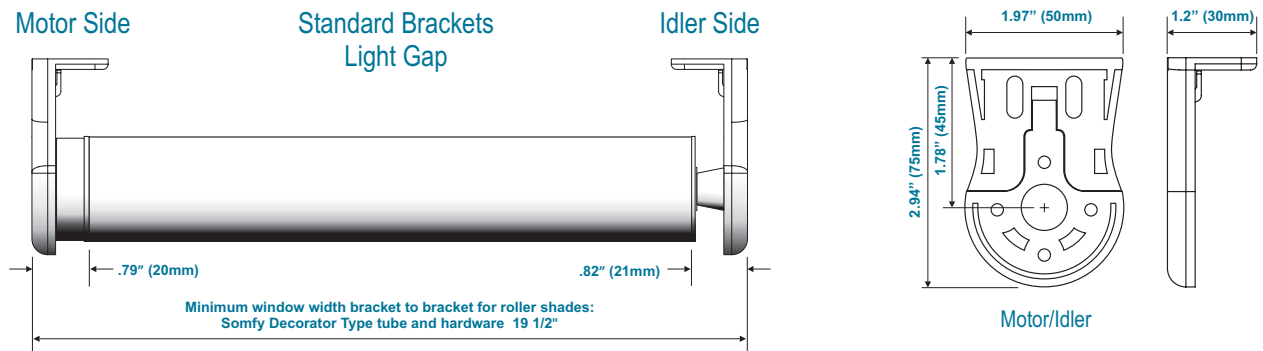
IMAGE	DESCRIPTION	CATALOG NUMBER
1	SONESSE® 30 LI-ION MOTORS #1003310, & #1003128	
2	SONESSE® 30 WIREFREE TO LS40 ADAPTOR KIT (Required part for conversion)	9020676
3	CROWN ADAPTOR 44MM TUBE (ACMEDA TYPE)	9013791
4	DRIVE WHEEL 44MM (ACMEDA TYPE)	9013790
3,4	CROWN & DRIVE 44MM TUBE (ACMEDA TYPE) (does not require # 9020676)	9021018
	HEAVY DUTY CROWN & DRIVE 45MM (ACMEDA TYPE)	9021036
4A	SILENT DRIVE WHEEL 44MM (ACMEDA TYPE)	9015259
5	MOTOR BRACKET ADAPTOR PLATE (ACMEDA TYPE)	9013789
6	MOTOR & IDLER BRACKET KIT 40P (ACMEDA TYPE)	9013778
7	PLASTIC BRACKET COVER 40P KIT (ACMEDA TYPE)	9013780
8	IDLER END PLUG 44MM TUBE (ACMEDA TYPE)	9013774
9	44M ALUMINUM TUBE (16 FT. MAX LENGTH)	1780688
10	TUBE SPLINE 44MM TUBE (ACMEDA TYPE)	1780687
11	M 3.5 x 9MM SCREWS	9014066
12	MOTOR BRACKET COMBO SET 122mm x 122mm	9013782

SONESSE® 30 WIREFREE RTS LI-ION HARDWARE SYSTEMS - Somfy Decorator Type

STANDARD BRACKET COMPONENTS



DIMENSIONS AND LIGHT GAP SPECIFICATIONS

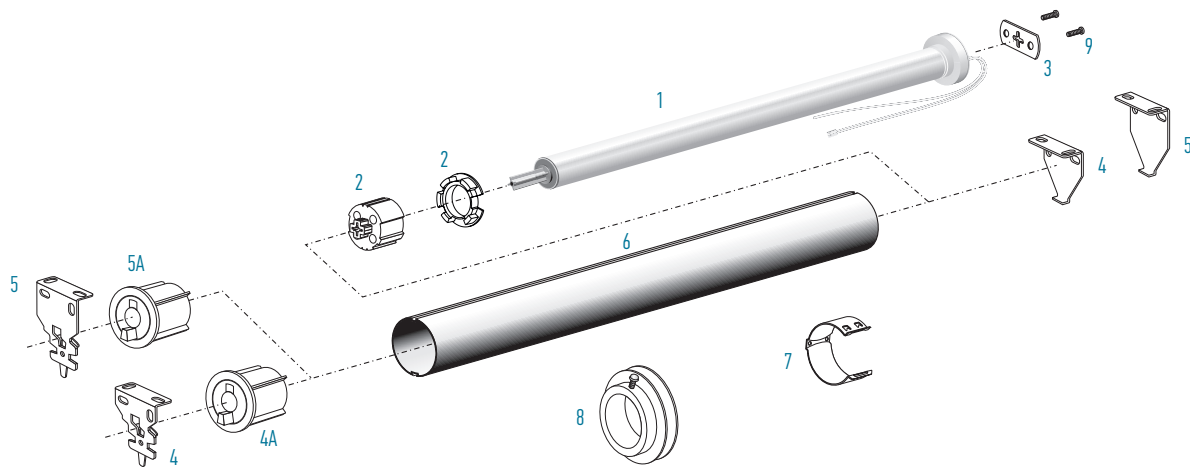


PRODUCT CHART

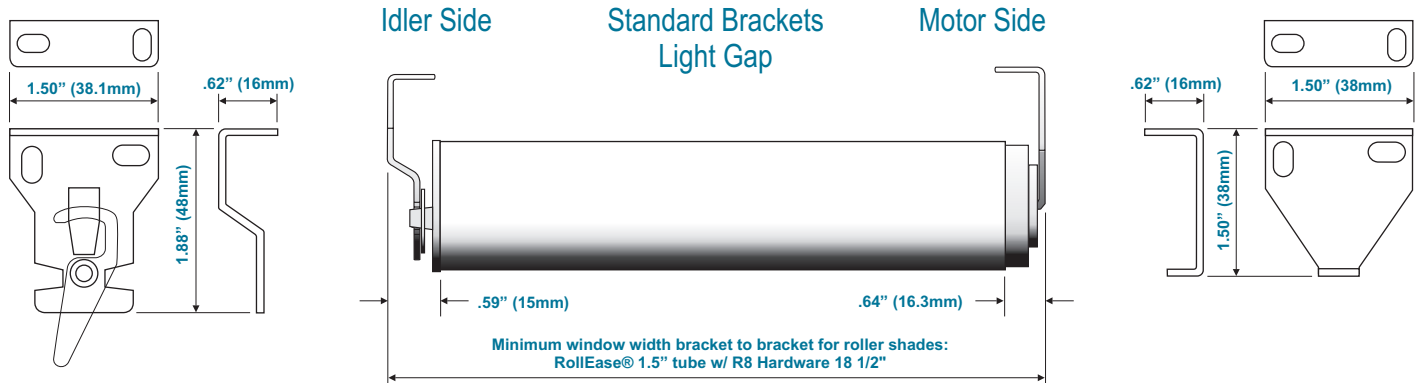
IMAGE	DESCRIPTION	CATALOG NUMBER
1	SONESSE® 30 LI-ION MOTORS #1003310, & #1003128	
2	SONESSE® 30 WIREFREE TO LS40 ADAPTOR KIT (Required part for conversion)	9020676
3	CROWN AND DRIVE (SOMFY 40MM x 1.5MM ROUND TUBE)	9012224
3A	CROWN AND RUBBERIZED DRIVE (SOMFY 40MM x 1.5MM ROUND TUBE)	9016654
4	MOTOR BRACKET (DECORATOR TYPE)	9500683
5	IDLER END BRACKET (DECORATOR TYPE)	9500685
6	IDLER END PLUG (DECORATOR TYPE)	9500685
7	40MM ROUND DRIVE (FOR USE WITH IDLER END PLUG)	9147544
8	SOMFY 40MM ROUND TUBE (20FT. MAX LENGTH)	1781153
9	CORD CLIPS FOR ROMAN SHADE APPLICATIONS	9012200
10	CORD TAKE-UP REEL (40MM TUBE)	1781152
11	M3.5 x 9MM SCREWS (Must be ordered separately when used with Sonesse® 30 motor range.)	9014066

SONESSE® 30 WIREFREE RTS LI-ION HARDWARE SYSTEMS - RollEase® Standard and ZMC XR-Series

STANDARD BRACKET COMPONENTS



DIMENSIONS AND LIGHT GAP SPECIFICATIONS

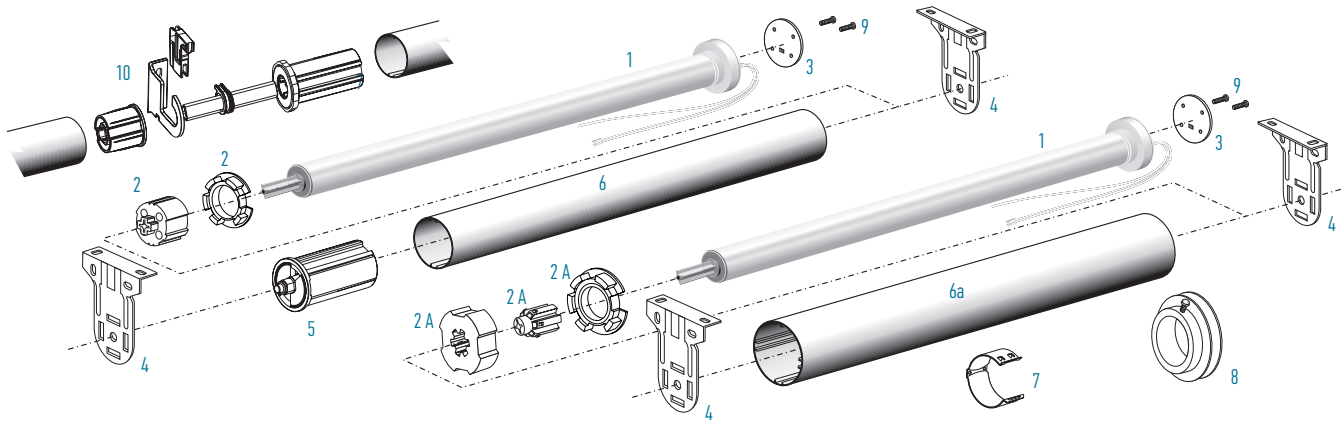


PRODUCT CHART

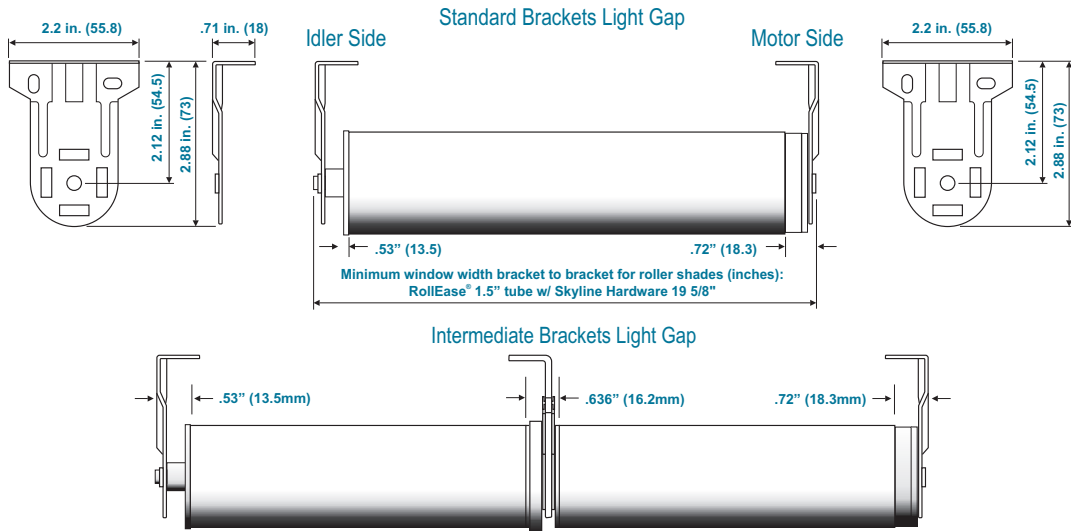
IMAGE	DESCRIPTION	CATALOG NUMBER
1	SONESSE® 30 LI-ION MOTORS #1003310, & #1003128	
2	CROWN AND DRIVE FOR ROLLEASE® 1.5" TUBE	9020674
3	MOTOR ADAPTOR PLATE FOR ROLLEASE® R8 BRACKET WITH SCREWS	9014073
4	ROLLEASE® 1.5" BRACKET KIT R8 SERIES & ZMC 1.5" BRACKET KIT FOR SOMFY 40MM ROUND TUBE	9012311
5	ROLLEASE® 1.5" PROJECTION BRACKET KIT R8 SERIES & ZMC 1.5" PROJECTION XR-SERIES BRACKETS	CONTACT SOMFY/ZMC
6	ROLLEASE® 2" BRACKET KIT R8 SERIES FOR SOMFY 2" ROUND TUBE	9012313
7	ROLLEASE® 1.5" TUBE	9017913
8	ZMC 1.5" Z-TUBE	CONTACT ZMC
9	CORD CLIPES (FOR ROLLEASE® 1.5" TUBE & ZMC 1.5" Z-TUBE)	9012200
10	TAKE-UP REEL (FOR ROLLEASE® 1.5" TUBE & ZMC 1.5" Z-TUBE)	1780786
11	M3.5 x 9MM SCREWS	9014066
12	MOTOR PLATE 9012258 (ROLLEASE® MOTOR BRACKET ACCES. R8 SERIES)	9012258

SONESSE® 30 WIREFREE RTS LI-ION HARDWARE SYSTEMS - Rollease® Skyline and ZMC XL-Series

STANDARD BRACKET COMPONENTS



DIMENSIONS AND LIGHT GAP SPECIFICATIONS

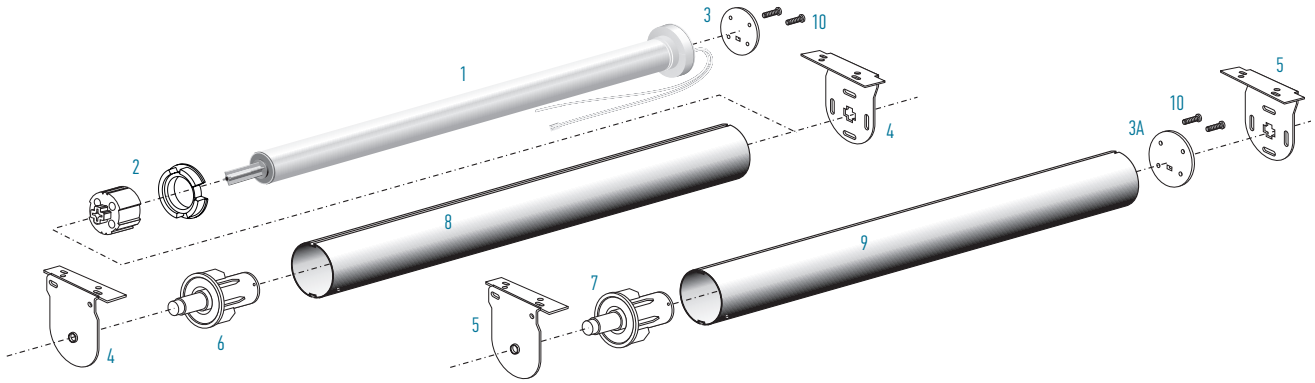


PRODUCT CHART

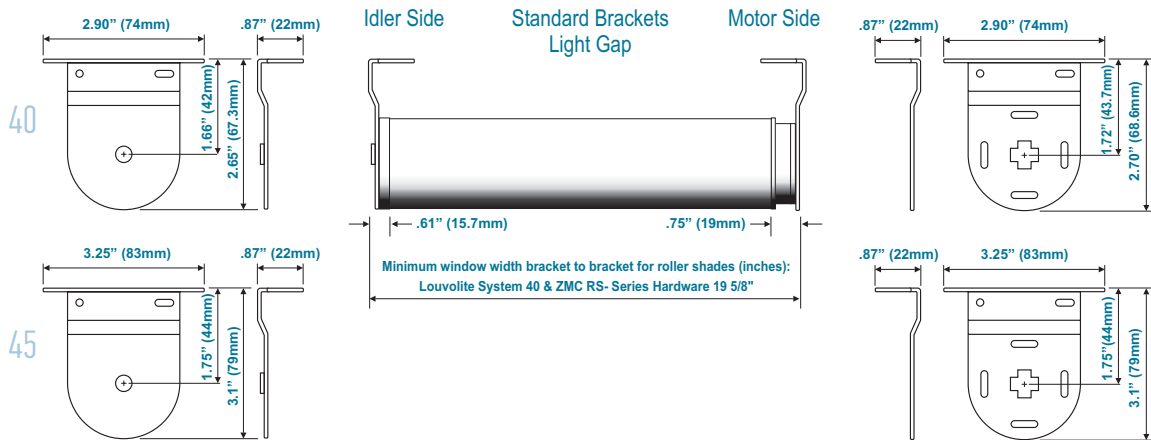
IMAGE	DESCRIPTION	CATALOG NUMBER
1	SONESSE® 30 LI-ION MOTORS #1003310, & #1003128	
2	CROWN AND DRIVE (FOR ROLLEASE® 1.5" TUBE & ZMC 1.5" Z-TUBE)	9020674
2A	CROWN AND DRIVE (FOR ROLLEASE® 2" TUBE & ZMC 2" Z-TUBE)	9021017
3	MOTOR ADAPTOR PLATE FOR ROLLEASE® SKYLINE BRACKETS W/SCREWS & ZMC XL SERIES BRACKET	9016378
4	SKYLINE SERIES BRACKETS 1.5" PROJECTION (ROLLEASE®) (2 REQUIRED)	9017910
5	SKYLINE SERIES HEAVY DUTY IDLER END PLUG (FOR ROLLEASE® 1.5" TUBE)	9017912
6	ROLLEASE® 1.5" TUBE	9017913
6	ZMC 1.5" Z-TUBE	CONTACT ZMC
6A	ROLLEASE 2" PROFILED TUBE	
7	CORD CLIPS (FOR ROLLEASE® 1.5" TUBE & ZMC 1.5" Z-TUBE)	9012200
8	TAKE-UP REEL (FOR ROLLEASE® 1.5" TUBE & ZMC 1.5" Z-TUBE)	1780786
9	M3.5 x 9MM SCREWS	9014066
10	ROLLEASE® SKYLINE SERIES INTERMEDIATE LINK SYSTEM	9016367

SONESSE® 30 WIREFREE RTS LI-ION HARDWARE SYSTEMS - Louvolute System 40 and ZMC RS-Series

STANDARD BRACKET COMPONENTS



DIMENSIONS AND LIGHT GAP SPECIFICATIONS



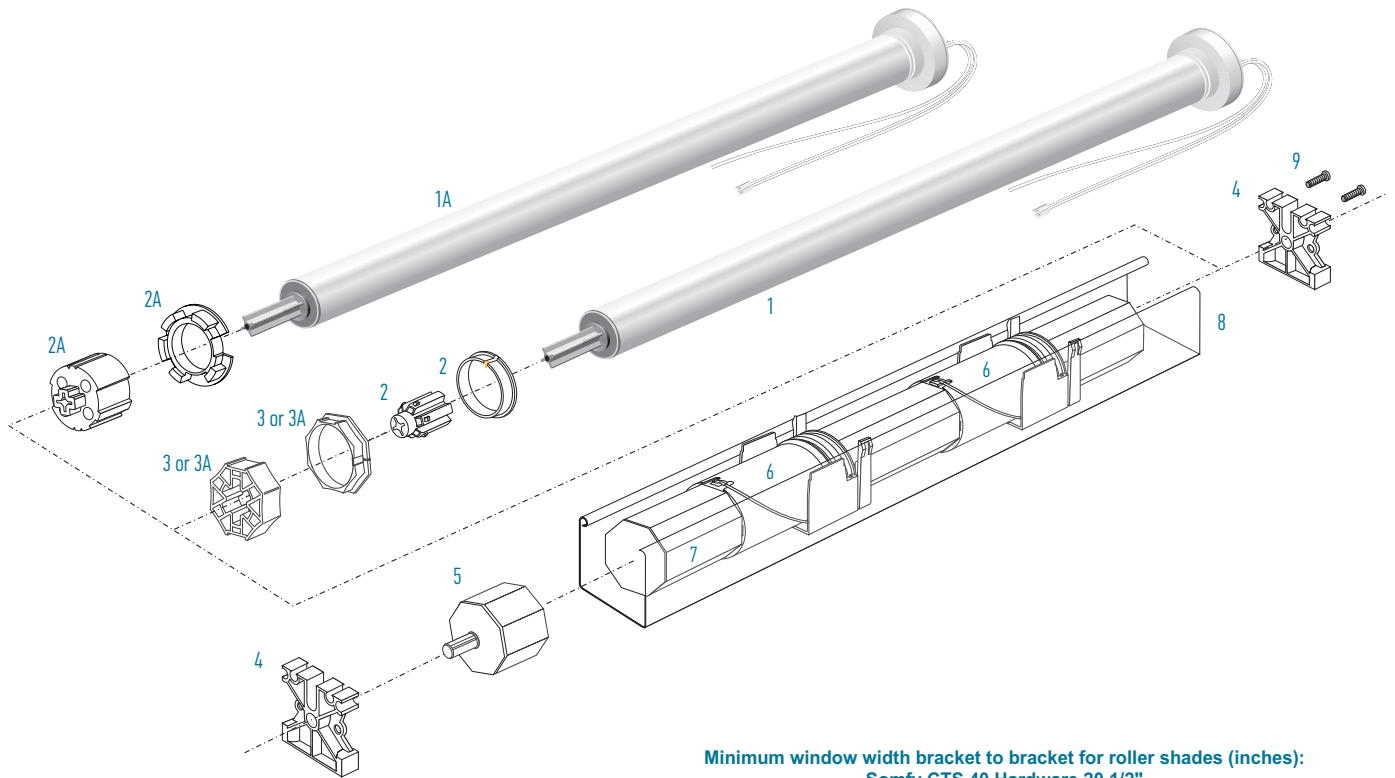
PRODUCT CHART

IMAGE	DESCRIPTION	CATALOG NUMBER
1	SONESSE® 30 LI-ION MOTORS #1003310, & #1003128	
2	CROWN AND DRIVE (LOUVOLITE 40MM TUBE) WITH SCREWS	9020675
3	MOTOR BRACKET ADAPTOR PLATE WITH SCREWS (LOUVOLITE SYSTEM 40)	9014072
3A	MOTOR BRACKET ADAPTOR PLATE WITH SCREWS (LOUVOLITE SYSTEM 45)	9016013
4	MOTOR & IDLER BRACKET KIT (FOR LOUVOLITE® STYLE SYSTEM 40 & ZMC RS-SERIES)	9013715
5	*MOTOR & IDLER BRACKET KIT (LOUVOLITE SYSTEM 45)	9015554
6	COLLAPSIBLE END PLUG (FOR LOUVOLITE® STYLE SYSTEM 40 & ZMC RS-SERIES)	9013716
7	COLLAPSIBLE END PLUG (LOUVOLITE SYSTEM 45)	9015555
8	LOUVOLITE® STYLE 40MM TUBE & ZMC 1.5" RS-TUBE	CONTACT SOMFY/ZMC
9	LOUVOLITE 45MM TUBE	CONTACT LOUVOLITE
10	SCREWS M3.5 x 9MM	9014066

*KIT TO BE USED WITH MOTOR BRACKET ADAPTOR PLATE (LOUVOLITE SYSTEM 40), CATALOG #9014072

SONESSE® 30 WIREFREE RTS LI-ION HARDWARE SYSTEMS - Somfy CTS 40

CORD TAKE-UP SYSTEM (CTS)






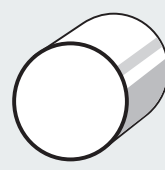

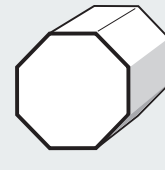

Minimum window width bracket to bracket for roller shades (inches):
Somfy CTS 40 Hardware 20 1/2"

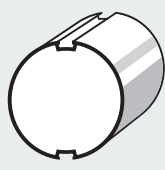

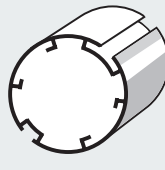

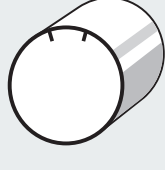

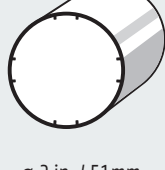
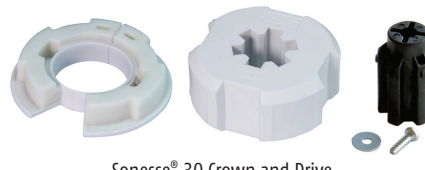
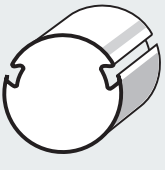

PRODUCT CHART

IMAGE	DESCRIPTION	CATALOG NUMBER
1, 1A	SONESSE® 30 LI-ION MOTORS #1003310, & #1003128	
2	SONESSE® 30 WIREFREE TO LS40 ADAPTOR WITH SCREW & WASHER	9020676
3	CROWN AND DRIVE KIT 40MM OCTAGONAL TUBE (LOUVOLITE SYSTEM 40)	9012225
3A	RUBBERIZED CROWN AND DRIVE KIT 40MM OCTAGONAL TUBE	9016655
4	MOTOR/IDLER BRACKET (FOR 57MM x 51MM HEADRAIL) (LOUVOLITE SYSTEM 45)	9500736
5	IDLER END PLUG FOR 40MM OCTAGONAL TUBE	9012274
6	CTS 40 (FOR 57MM x 41MM HEADRAIL)	1781118
7	SOMFY 40MM OCTAGONAL TUBE (20FT. MAX LENGTH)	1781154
8	57MM x 51MM (2" x 2 1/4") GUTTER RAIL OR SIMILAR	CONTACT MANUFACTURER
9	M 3.5 x 9MM SCREWS	9014066

SONESSE® 30 WIREFREE RTS LI-ION Crowns and Drives

CROWNS & DRIVES FOR SONESSE 30 LI-ION MOTORS

TUBE PROFILE (not to scale)	SET
Compatible with all 400 series crowns and drives.	 <p>Sonesse® 30 to 400 Series Adaptor Kit (adapts Sonesse® 30 to all 400 Series crowns and drives)</p> <p>Part # 9020676</p>
 <p>400 Series Crown and Drive Set* (for Somfy® 40mm x 1.5" round tube)</p> <p>Part # 9012224</p>	 <p>400 Series Crown and Rubberized Drive Set* (for Somfy® 40mm x 1.5" round tube)</p> <p>Part # 9016654</p>
 <p>ø 1.5 in. / 40mm Round</p> <p>NOTE: Must be used with 9020676</p>	 <p>400 Series Crown and Drive Set* (for 40mm octagonal tube)</p> <p>Part # 9012225</p>
 <p>ø 1.5 in. / 40mm Octagonal</p> <p>NOTE: Must be used with 9020676</p>	 <p>400 Series Crown and Rubberized Drive Set* (for 40mm octagonal tube)</p> <p>Part # 9016655</p>

TUBE PROFILE (not to scale)	SET
 <p>ø 1.5 in. / 40mm Louvolite</p>	 <p>Sonesse® 30 Crown and Drive (for Louvolite 40mm tube)</p> <p>Part # 9020675</p>
 <p>ø 37mm Hunter Douglas</p>	 <p>Sonesse® 30 Crown and Drive (for HD 37mm tube)</p> <p>Part # 9020699</p>
 <p>ø 1.5 in. / 38mm RollEase®</p>	 <p>Crown and Drive Set for RollEase® 1.5"/38mm Tube</p> <p>Part # 9020674</p>
 <p>ø 2 in. / 51mm RollEase®</p>	 <p>Sonesse® 30 Crown and Drive for RollEase/ZMC 2"/51mm Tube</p> <p>Part # 9021017</p>
SPECIALTY	
 <p>ø 50mm Hunter Douglas</p>	 <p>400 Series Crown and Drive for HD 4" Silhouette* (Quartette™)</p> <p>Part # 9016953</p>

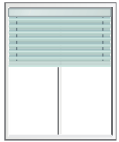
CORD LIFT WIREFREE™ CL32 RTS

Part # 1002422

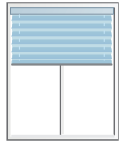


Offers control via Radio Technology Somfy® (RTS)

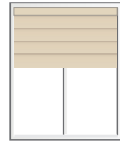
Applications



Cellular Shades



Pleated Shades



Roman Shades



Technical Features

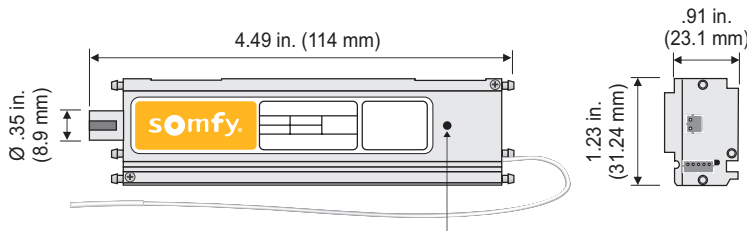
Voltage Supply	DC
Index Protection Rating	IP 30
Limit Switch Type	Electronic
Limit Switch Capacity	180 Turns

Temperature Working Range 32°F to 140°F (0°C to 60°C)

Insulation Class Class III

Antenna RF antenna wire must be positioned outside of headrail and should not come in contact with metal surfaces for greatest RF range. RF wire may need to be repositioned for optimal performance. Antenna wire must not be cut.

Dimensions - in. (mm)

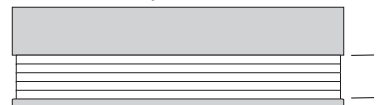


Reset and programming tool (#9013291) is no longer required or operational.

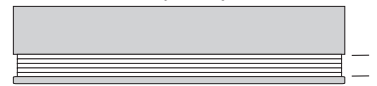
Fabrication Recommendations

- Do not compress fabric into headrail when setting upper limit. Bottom bar should be 1/4" lower than fully compressed position and should move freely once shade position is set.

Shade compressed less 1/4"



Shade fully compressed



- Somfy requires Energizer® Lithium batteries #L91 that provide patented safety protection.



Performances

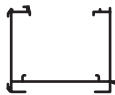



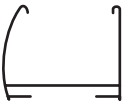

Cord Lift WireFree™ CL32 RTS

Voltage	12V DC
Torque	0.34 Nm
Thermal Protection	2.5 minutes
Over Current Protection	1.2 amps
Sound Level	53 dBA
Speed	68 rpm
Radio Frequency for RTS	433.42 MHZ

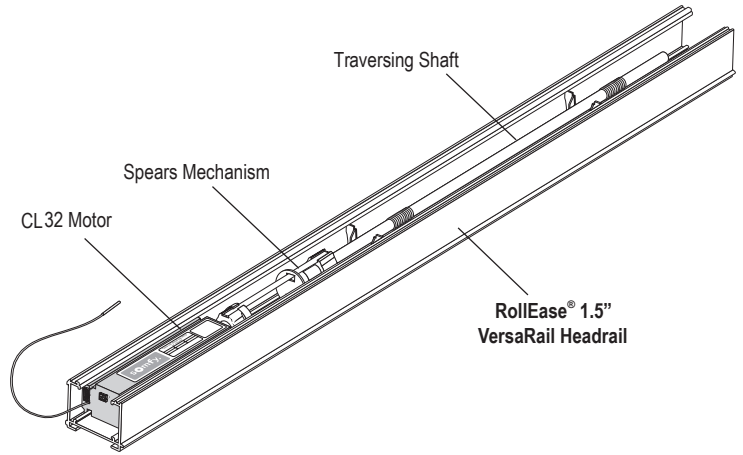
CORD LIFT WIREFREE™ CL32 RTS

Hardware Systems and Accessories

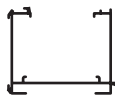



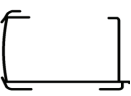







CL32 TRAVERSING SHAFT SYSTEMS

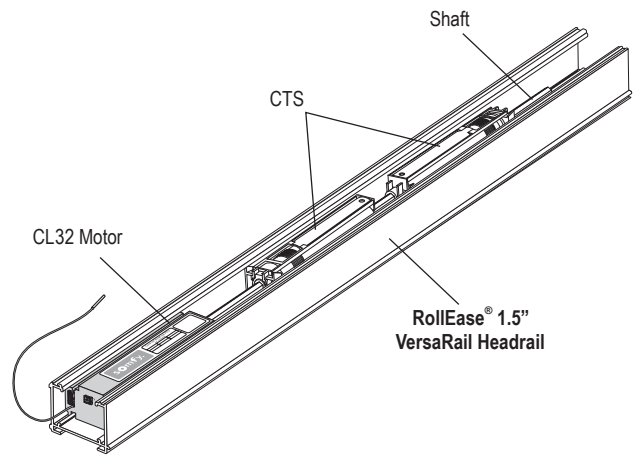
SYSTEM TYPE	HEADRAIL PROFILE	HEADRAIL ADAPTORS	SHAFT ADAPTOR
Rollease® 1.5" VersaRail		Not Required	 9013283
*Graber®/Bali® EasyUp		 9013288	Available through Springs Window Fashions only
*Levolor/Kirsch Accordia (cord loop)		Available through Kirsch/Levolor only	 9013283

*Contact your local distributor/retailer for complete products.

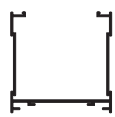




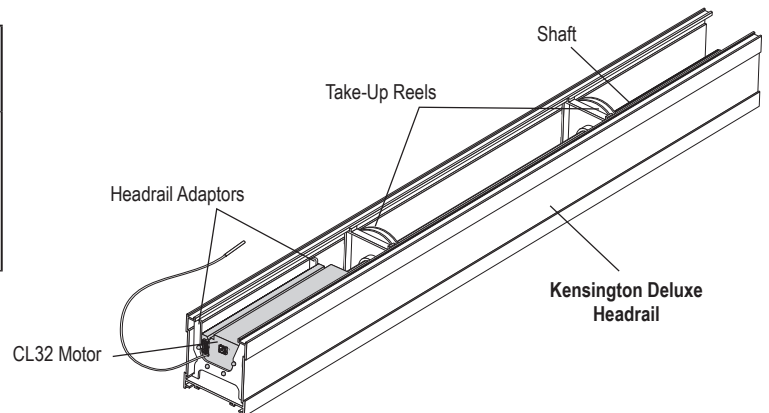
CL32 (CTS) CONE SYSTEMS

SYSTEM TYPE	HEADRAIL PROFILE	HEADRAIL ADAPTORS	CTS (Cord Take-Up)	SHAFT TYPE	SHAFT ADAPTOR
Rollease® 1.5" VersaRail		Not Required	 Somfy CTS 5mm Hex	 5mm Hex	 9012105
Comfortex/ Turnils Global Headrail		 9015900	Available through Comfortex/ Turnils	 "V" Notch	 9015899
Blinds to Go (Smartlift) HT Window Fashions (Clutch)		 9017148	Available through Blinds To Go & HT Window Fashions	 4mm Square	 9013269



CL32 (CTS) TAKE-UP REEL SYSTEMS

SYSTEM TYPE	HEADRAIL PROFILE	HEADRAIL ADAPTORS	SHAFT ADAPTOR
Kensington Deluxe		 9013443	 9013284



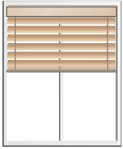
TILT 50 WIREFREE™ RTS

Part # 1002822



Offers control via Radio Technology Somfy® (RTS)

Applications



2" Horizontal Blinds

- Tilt only
- Features Somfy patented Modulis control, capable of precision tilting of blind slats.



Technical Features

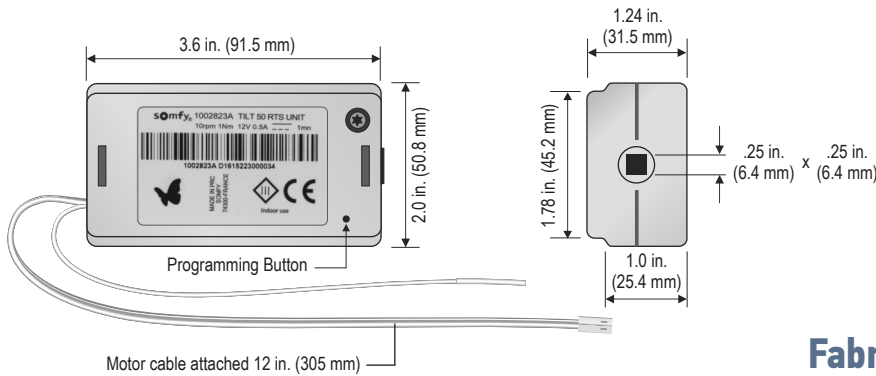
Voltage Supply	DC
Index Protection Rating	IP 20
Limit Switch Type	Electronic

Temperature Working Range 32°F to 140°F (0°C to 60°C)

Insulation Class Class III

Antenna RF antenna wire must be positioned outside of headrail and should not come in contact with metal surfaces for greatest RF range. RF wire may need to be repositioned for optimal performance. Antenna wire must not be cut.

Dimensions - in. (mm)



Fabrication Recommendations

- Steel or aluminum headrails can be used.
- Headrail adaptor is required.
- Somfy requires Energizer® Lithium batteries #L91 that provide patented safety protection.









Performances Tilt 50 WireFree™ RTS

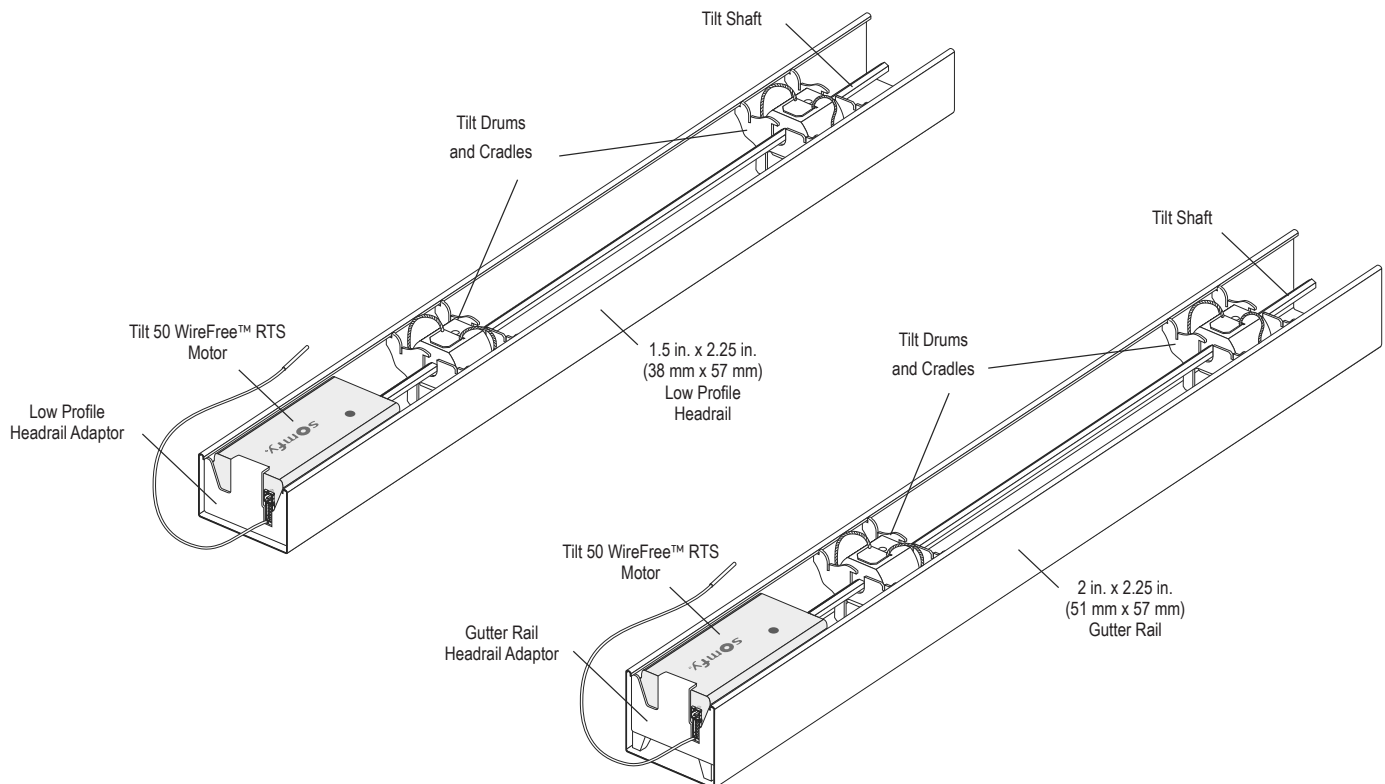
Voltage	12V DC
Torque	.6 Nm
Sound Level	44 dBA at 5 rpm with rubberized headrail adaptor
Speed	10 rpm
Slow Speed Option	5 rpm



TILT 50 WIREFREE™ RTS HARDWARE SYSTEMS AND ACCESSORIES

TILT 50 WIREFREE™ RTS COMPONENTS

SYSTEM TYPE	HEADRAIL PROFILE	HEADRAIL ADAPTORS	SHAFT ADAPTORS		
1.5 in. x 2.25 in. (38 mm x 57 mm) Low Profile Headrail		 Low Profile Headrail Adaptor 9014528	 5.6 mm Hexagonal Adaptor 9014535	 D Rod Adaptor 9014536	 4 mm Square Adaptor 9014540
1.5 in. x 2.25 in. (38 mm x 57 mm) Low Profile Graber®/Bali® (SureClose™)					
2 in. x 2.25 in. (51 mm x 57 mm) Gutter Rail		 Gutter Rail Headrail Adaptor 9014529			



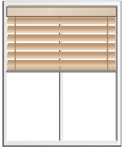
TILT ONLY 50 WIREFREE™ RTS THROUGH SHAFT

Part # 1240276



Offers control via Radio Technology Somfy® (RTS)

Applications



2" Horizontal Blinds

- Tilt only
- Features Somfy patented Modulus control, capable of precision tilting of blind slats.



Technical Features

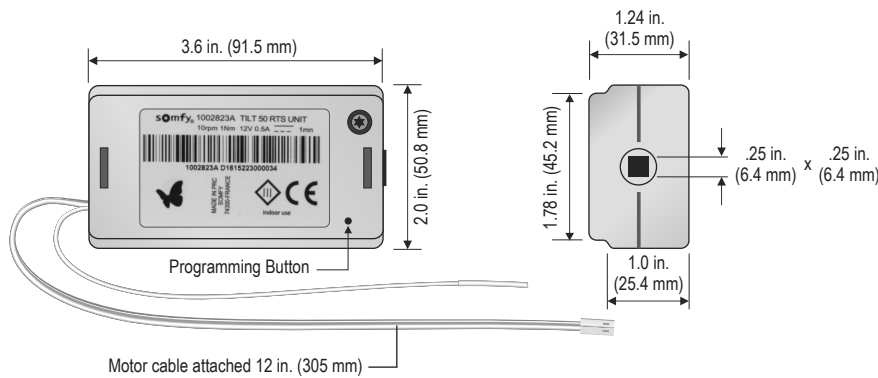
Voltage Supply	DC
Index Protection Rating	IP 20
Limit Switch Type	Electronic

Temperature Working Range 32°F to 140°F (0°C to 60°C)

Insulation Class Class III

Antenna RF antenna wire must be positioned outside of headrail and should not come in contact with metal surfaces for greatest RF range. RF wire may need to be repositioned for optimal performance. Antenna wire must not be cut.

Dimensions - in. (mm)



Performances Tilt 50 WireFree™ RTS

Voltage	12V DC
Torque	1.0 Nm
Sound Level	44 dBA at 5 rpm with rubberized headrail adaptor
Speed	10 rpm
Slow Speed Option	5 rpm

WireFree Control Accessories

Learn more about controls and accessories and download the RTS brochure at www.somfy.com/controls

RADIO TECHNOLOGY SOMFY® (RTS)



TELIS HAND-HELD REMOTE COLLECTION



Telis 1 RTS Lounge
Single Channel
Remote
1810650



Telis 4 RTS Lounge
Five Channel
Remote
1810652



Telis 1 RTS Silver
Single Channel
Remote
1810639



Telis 4 RTS Silver
Five Channel
Remote
1810641



Telis 1 RTS Pure
Single Channel
Remote
1810632



Telis 4 RTS Pure
Five Channel
Remote
1810633



Telis 1 RTS Patio
Single Channel
Remote
1810643



Telis 4 RTS Patio
Five Channel
Remote
1810645



Situ 1 Channel
RTS Remote
1800128



Situ 5 Channel
RTS Remote
1800139



Telis 1 Modulus
RTS Pure with
Scroll Wheel
1811234



Telis 4 Modulus
RTS Pure with
Scroll Wheel
1811235



Telis 16 Channel RTS
Pure Remote with
On-screen display
1811081



Telis 16 Channel RTS
Silver Remote with
On-screen display
1811082



Telis 1 Chronis RTS
Pure Timer with
On-screen display
1805237

DECOFLEX WIREFREE™ WALL SWITCHES



DecoFlex 1 Channel RTS
WireFree™ Wall Switch



DecoFlex 2 Channel RTS
WireFree™ Wall Switch



DecoFlex 3 Channel RTS
WireFree™ Wall Switch



DecoFlex 4 Channel RTS
WireFree™ Wall Switch



DecoFlex 5 Channel RTS
WireFree™ Wall Switch

- Wall Switches shown in white. Also available in black and ivory finishes.
- Shown assembled with printed channel buttons.
- Custom engraved buttons are also available.



SMOOVE® WALL SWITCH



Smooove® 1 RTS Pure

- Battery-operated convenience
- Surface mounts with ease
- Frames available in 7 colors



TABLE TOP ACCESSORIES



DecoFlex WireFree™ RTS
Table Top Accessory Black
1811051*



DecoFlex WireFree™ RTS
Table Top Accessory Silver
1810972*



DecoFlex WireFree™ RTS
Table Top Accessory White
1811185*

*DecoFlex Switch sold separately from Table Top Accessory.

WireFree Control Accessories

Learn more about controls and accessories and download the RTS brochure at www.somfy.com/controls

RADIO TECHNOLOGY SOMFY® (RTS)



INDOOR RTS SENSORS



Sunis Indoor
WireFree™ RTS
9013707



ThermoSunis Indoor
WireFree™ RTS
9013708

RTS REPEATER



RTS Repeater
(extends RTS range)
1810791

RTS MOTOR INTERFACES



ZRTSI II



Z-Wave® to RTS Interface2
Integrates Somfy RTS motorized applications with Z-Wave® control systems.
1811265

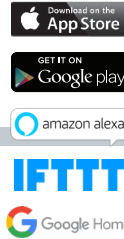
myLink™



RTS Smart Phone and
Tablet Interface

Control window coverings, awnings, screens and rolling shutters using your tablet, smartphone or voice. Create timed events, scenes and more. Integration-ready for third-party control.
www.somfy.com/mylink

1811403



16 CHANNEL RTS INTERFACE



Universal RTS Interface 16-Channel
(Converts IR, RS232, RS485 to RTS)
1810872

SOMFY CONNECT™ LTI



Integrates Somfy RTS and Somfy Digital Network™ (SDN) motorized applications with RadioRA® 2, Homeworks® QS, GRAFIF Eye® QS, and Quantum® control systems.
1870210

SOMFY CONNECT™ UNIVERSAL AUTOMATION INTERFACE (UAI)



Commission and integrate Somfy-powered SDN solutions over IP.
1870272

DRY CONTACT



RTS Dry Contact Interface
Single Channel
1810493

NOTE: For additional information regarding ZigBee® or Z-Wave® controls, contact Somfy Systems, Inc.

WireFree Power Accessories For Non Lithium-ion Motors

WIREFREE ACCESSORIES

Solar Recharge Kit



9019034

(Includes: Solar panel, reloadable battery tube, 4 panel mounting brackets, 2 battery clips, "Y" harness and glass mount adhesive)

Complete with 10 Ni-MH Batteries 9019235

Ni-MH Rechargeable Battery Tube



9018684

- Requires 10 Ni-MH batteries
- For use with battery charger #9018620

Plug-in AC Battery Rapid Charger



9018620

Required for charging Ni-MH batteries prior to installation
For use with solar kit #9019034/9019235 and battery Ni-MH tube #9018684

Extension Cables



10" - 9018623

48" - 9016736

96" - 9018624

- For connection to "Y" harness
- For connection to all battery tubes

Extension Cables



9021131

8" Extension Cable

Extension Cables



9021016

94.5" Extension Cable

Mounting Clips for Battery Tubes



9013263

For use with solar kit #9019034/9019235 and battery Ni-MH tube #9018685

Solar Panel Mounting Bracket Kit



9015897

(Included with solar kit)

BATTERIES AND ACCESSORIES

Single 12V DC Reloadable Battery Tube



9018685

- For use with all 12V DC WireFree motors
- Requires reloadable battery tube and 8 AA lithium batteries

Dual 12V DC Reloadable Battery Tube "Y" Harness



9018625

- Used to connect (2) 12V DC reloadable battery tubes to extend battery life
- For use with 2 lithium battery wands only (9018685)

External Li-ion Battery Pack



9021217

4 AA Lithium Battery Package



9013231

(2 needed for battery tube #9014020)

8 AA Lithium Battery Package Tubes



9014834

(for battery tube #9014020)

10 PACK Ni-MH Batteries



9018621

(for solar kit #9019034 & battery tube #9018684)

Mounting Clips for Battery Tubes



9013263

Included with battery tube #9018685

TRANSFORMERS AND ACCESSORIES

12V DC Plug-in Transformer



1822445

For use with R28, CL32 and Tilt 50

12V DC 10A Din Rail Mount Power Supply



9018760

(for hard-wired installations)

14" Din Rail for Power Supply



9011975

WireFree Power Accessories For Lithium-ion Motors

WIREFREE ACCESSORIES FOR SONESSE 30 LI-ION & ROLL UP 28 LI-ION

Sonesse 30 WireFree Plug-in Charger



9020672

Lithium-ion Charger (for Sonesse ULTRA WireFree motors only) New!



9025166

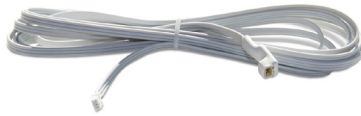
Extension Cables



9021131

Extension Cable for
Sonesse ULTRA WireFree Motors, 8"

Extension Cables



9021016

Extension Cable for
Sonesse ULTRA WireFree Motors, 94.5"

Extension Cables



9020673

Sonesse 30 WireFree Charger
Extension Cable, 96"

DECOFLEX RTS, SDN & DRY CONTACT

Button Engraving Order Form

Customer Name: _____ Customer #: _____

SHIPPING	Shipping Information	Project Information
	Ship to: Default Shipping Address <input type="checkbox"/> Drop Ship <input type="checkbox"/>	Project Name: _____
	Name: _____	Installer Name/Company: _____
	Address: _____	P/O #: _____ Order #: _____
	City: _____ State: _____ Zip: _____	Area: _____
Phone: _____	Room: _____	

STYLE	Button Color	Switch Type
	WHITE <input type="checkbox"/> #9018259 IVORY <input type="checkbox"/> #9018260 BLACK <input type="checkbox"/> #9018261	RTS <input type="checkbox"/> Somfy Digital Network (SDN) RS485 <input type="checkbox"/> Dry Contact <input type="checkbox"/> <i>Available in White only</i>

ENGRAVING OPTIONS	<table border="1"> <thead> <tr> <th>Buttons (A-F)</th> <th colspan="5">9 Characters Maximum (including spaces)</th> <th>QTY.</th> </tr> </thead> <tbody> <tr><td>A</td><td></td><td></td><td></td><td></td><td></td><td></td></tr> <tr><td>B</td><td></td><td></td><td></td><td></td><td></td><td></td></tr> <tr><td>C</td><td></td><td></td><td></td><td></td><td></td><td></td></tr> <tr><td>D</td><td></td><td></td><td></td><td></td><td></td><td></td></tr> <tr><td>E</td><td></td><td></td><td></td><td></td><td></td><td></td></tr> <tr><td>F</td><td></td><td></td><td></td><td></td><td></td><td></td></tr> <tr><td>G</td><td></td><td></td><td></td><td></td><td></td><td></td></tr> <tr><td>H</td><td></td><td></td><td></td><td></td><td></td><td></td></tr> </tbody> </table>	Buttons (A-F)	9 Characters Maximum (including spaces)					QTY.	A							B							C							D							E							F							G							H							<p>DecoFlex RTS</p>	<p>DecoFlex SDN (Standalone or Group)</p>
	Buttons (A-F)	9 Characters Maximum (including spaces)					QTY.																																																											
	A																																																																	
	B																																																																	
	C																																																																	
D																																																																		
E																																																																		
F																																																																		
G																																																																		
H																																																																		
NOTE:	<p>* (F): Command Button by default is labeled STOP on the DecoFlex Range of keypads.</p> <p>G and H buttons by default are labeled as follows:</p> <p>(G = down ▽ icon) WHITE - #9018263 IVORY - #9018264 BLACK - #9018265</p> <p>(H = up ▲ icon): WHITE - #9018267 IVORY - #9018268 BLACK - #9018269</p> <p>If you prefer they can be substituted with an associated command NAME (UP, DOWN, LOWER, etc.) up to 5 characters.</p>																																																																	
	<p>Engraving Options - Default option will be used if nothing is selected.</p> <p>Character Types: (choose one)</p> <p><input type="checkbox"/> ALL LETTERS CAPITALIZED (Default) <input type="checkbox"/> First Letters Capitalized <input type="checkbox"/> As written in above section</p>																																																																	

Payment terms of your account will apply.
All engraved switches are custom made and are non-cancellable.
Please send form to: Fax # 609-495-8117 or e-mail to: Ordering_us@somfy.com

SOMFY SYSTEMS INC 121 Herrod Blvd. Dayton, NJ 08810 Phone: (800) 22-SOMFY NJ: (609) 395-1300 Fax: (609) 495-8118 somfysystems.com	Florida 1200 SW 35th Ave. Boynton Beach, FL 33426 Phone: (877) 227-6639 Fax: (561) 995-7502	California 15301 Barranca Parkway Irvine, CA 92618-2201 Phone: (877) 727-6639 Fax: (949) 727-3775	SOMFY ULC SOMFY Canada Division 5178 Everest Drive Mississauga, Ontario L4W2R4 CN: (905) 564-6446 Fax: (905) 238-1491	© Copyright Somfy Systems, Inc.12/2018 P-0013
--	--	--	--	--

SOMFY® is the leading global manufacturer of strong, quiet motors with electronic and app controls for interior window coverings and exterior solar protections. Over 270 million users worldwide enjoy the more than 150 million motors produced by Somfy. During the past 50 years, Somfy engineers have designed products for both the commercial and residential markets to motorize window coverings such as interior shades, wood blinds, draperies, awnings, rolling shutters, exterior solar screens and projection screens. Somfy motorization systems are easily integrated with security, HVAC and lighting systems providing total home or building automation.

SOMFY SYSTEMS INC
SOMFY NORTH AMERICAN HEADQUARTERS

121 Herrod Blvd.
Dayton, NJ 08810
T: (800) 22-SOMFY (76639)
NJ: (609) 395-1300
F: (609) 395-1776

FLORIDA

1200 SW 35th Ave.
Boynton Beach, FL 33426
T: (800) 22-SOMFY (76639)
F: (561) 995-7502

CALIFORNIA

15301 Barranca Parkway
Irvine, CA 92618-2201
T: (800) 22-SOMFY (76639)
F: (949) 727-3775

SOMFY ULC

SOMFY Canada Division

5178 Everest Drive
Mississauga, Ontario L4W2R4
T: 1-800-66-SOMFY (76639)
CN: (905) 564-6446
F: (905) 238-1491

www.somfysystems.com

A BRAND OF **SOMFY** GROUP

© Copyright Somfy Systems, Inc. 5/2019
Images: © SAS/Childeric