

SEIDAR®

سیدار®

somfy®

Products Specification



Table of Contents

Somfy Motors for Roller Blinds	2
SONESSE 30 RTS	3
SONESSE 50 RTS	9
ALTUS 40	12
LS 40 MERCURE w/out receiver	15
ALTUS 50 (6/32)	16
ALTUS 50 (10/32)	17
Somfy Motors for Roman Blinds.....	19
SONESSE 50 RTS	20
ALTUS 50	21
Somfy Motors for Wooden Blinds.....	22
LS 40 (9/14)	23
Somfy Motors for Mini Venetian Blinds	27
LV 25-B64	28
LW 25-B83	30
Somfy Motors for Pleated Blinds	32
LW 25-B44	33
Somfy Motors for Fabric Curtain.....	35
GLYDEA SOMFY	36
Somfy Motors for Awning.....	39
ALTUS 60 RTS	40
Remote	41
Sensor.....	44
Receiver	45
Intermediate support.....	46



HOME MOTION by **somfy**

سيڤار
SEBAR®

Terms and Conditions:

- * The above content is for project use only.
- * The technical specifications are subject to change without notice, for improvement purposes.
- * Colors and materials will be based on our samples and subject to availability.
- * Prices are subject to change without notice.

Somfy Motors for Roller Blinds



HOME MOTION by **somfy**



2

سیدار
SEBAR

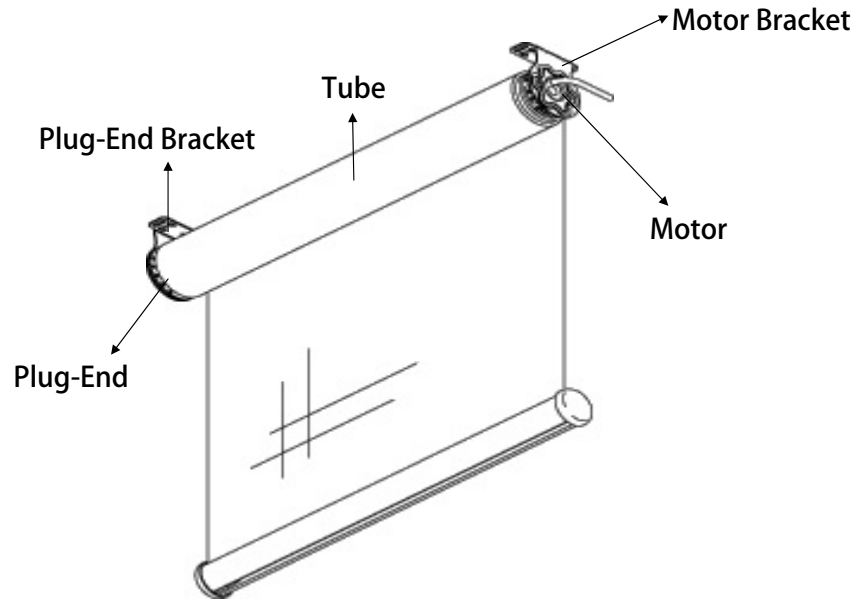
Terms and Conditions:

- * The above content is for project use only.
- * The technical specifications are subject to change without notice, for improvement purposes.
- * Colors and materials will be based on our samples and subject to availability.
- * Prices are subject to change without notice.

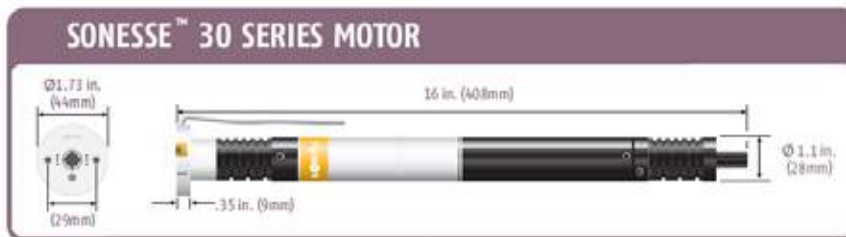
SONESSE 30 RTS

SONESSE 30 RTS(2/28)

Max Height 3 m
 Max Width 3 m
 Max Weight 9 kg
 For jumbo cassette Roller



Sonesse 30 motors for Roller blinds



Motor Type	Reference	Speed	Torque	Power
Sonesse 30 RTS	1001524	28 rpm	2 Nm	24 V

Sonesse 30 motors Power Supply



Ref. 1870149 – Power Supply



Ref. 9014006 – Power Cable

3

HOME MOTION by **somfy**

سیدار
SEBAR

Terms and Conditions:

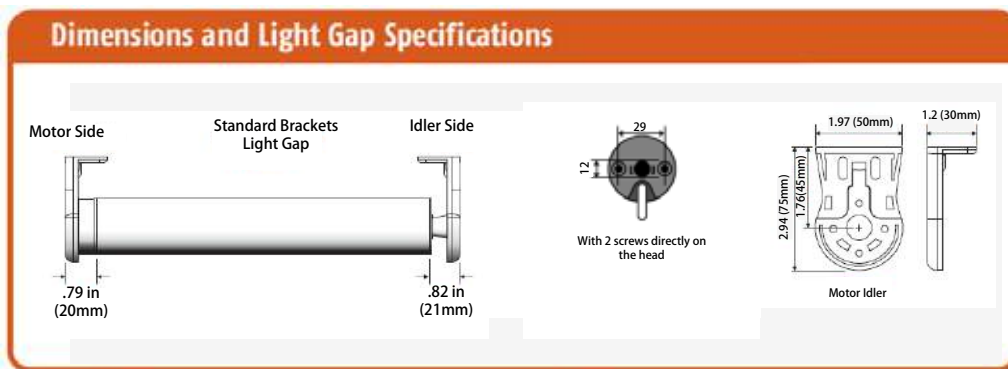
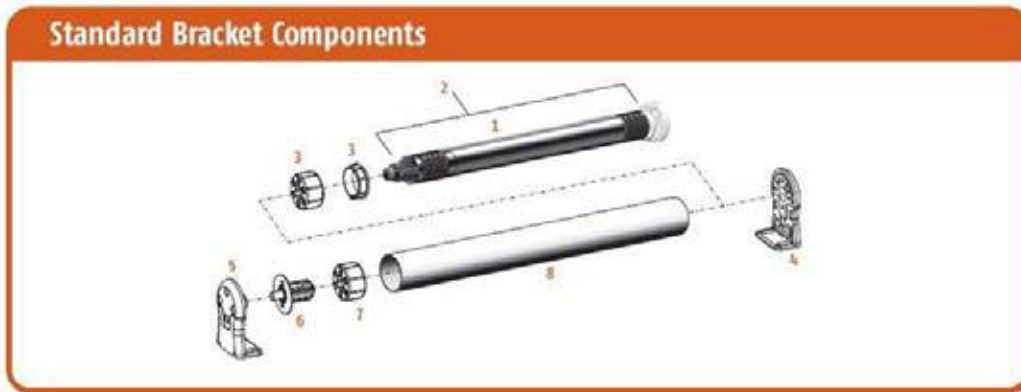
- * The above content is for project use only.
- * The technical specifications are subject to change without notice, for improvement purposes.
- * Colors and materials will be based on our samples and subject to availability.
- * Prices are subject to change without notice.

Sonesse 30 motors Technical View



Power Supply	24 V
Torque	2 Nm
Speed	28 rpm (Adjustable speed) 6 to 28
Protection Rating	IP30
Operating Temperature	0-60 c
Technology	RTS - DCT - RS485




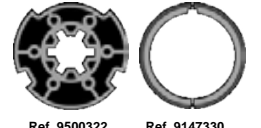
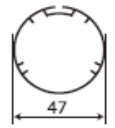
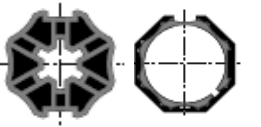

Maximum Size of the blind 3x3 Meters
Maximum Weight of the blind 9 KG



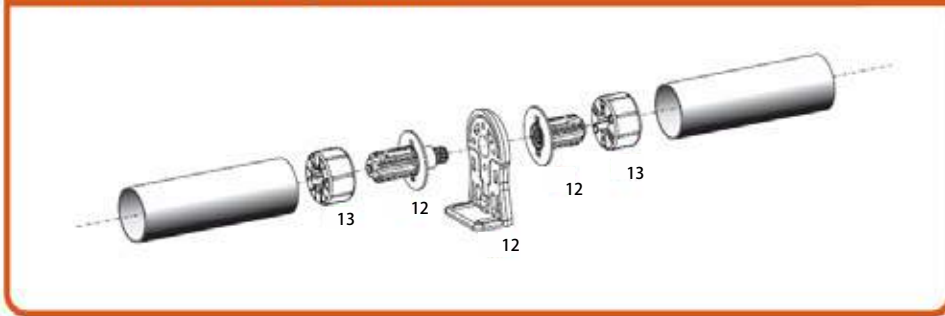
Terms and Conditions:

- * The above content is for project use only.
- * The technical specifications are subject to change without notice, for improvement purposes.
- * Colors and materials will be based on our samples and subject to availability.
- * Prices are subject to change without notice.

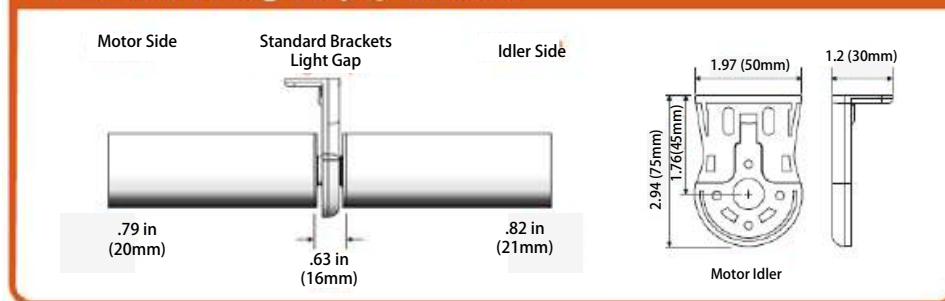
Sonesse 30 motors Accessories for Roller blinds

	<p>Ref. 9013776</p> <p>Adapter set for Sonesse 30 motors to use with all LS40 Accessories for tube 40 mm and above</p>
 <p>Ref. 9147544 Ref. 9147330</p>	<p>Ref. 9147544 Wheel for tube round 40x1.5mm</p> <p>Ref. 9147330 Crown for tube round 40x 1.5 mm</p> 
 <p>Ref. 9500322 Ref. 9147330</p>	<p>Ref. 9500322 Wheel for tube round 40x1.5mm</p> <p>Ref. 9147330 Crown for tube round 40x 1.5 mm</p> 
 <p>Ref. 9132145 Ref. 9500344</p>	<p>Ref. 9132145 Crown for tube Octagonal 40 mm</p> <p>Ref. 9500344 Wheel for tube Octagonal 40 mm</p> 

Intermediate Bracket Specifications



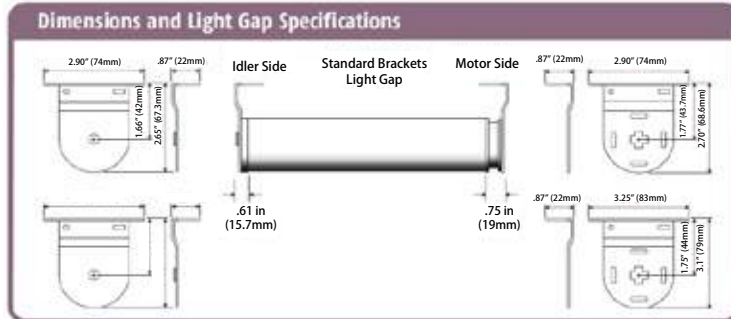
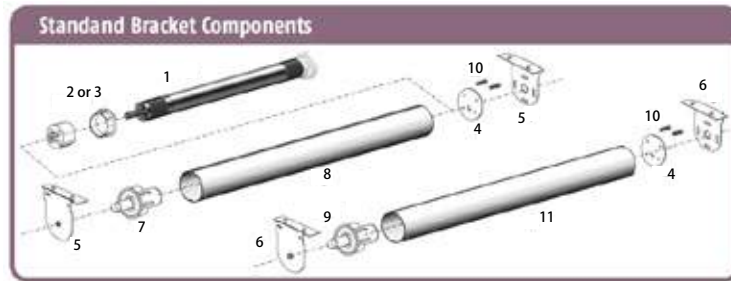
Dimensions and Light Gap Specifications



Terms and Conditions:

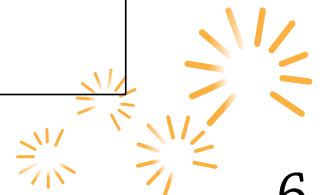
- * The above content is for project use only.
- * The technical specifications are subject to change without notice, for improvement purposes.
- * Colors and materials will be based on our samples and subject to availability.
- * Prices are subject to change without notice.

Sonesse 30 Mechanical Accessories



Sonesse 30 motors Accessories for Roller Blind

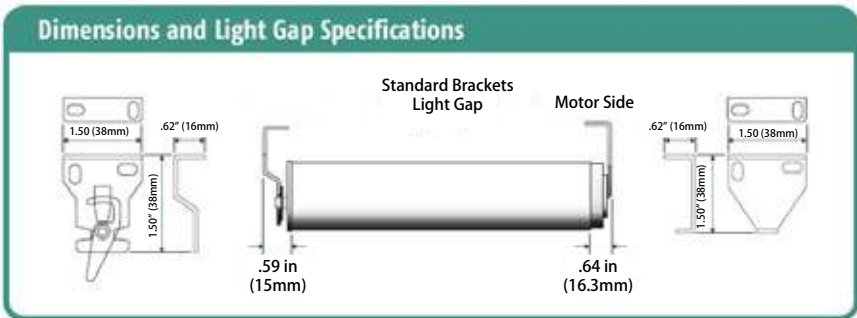
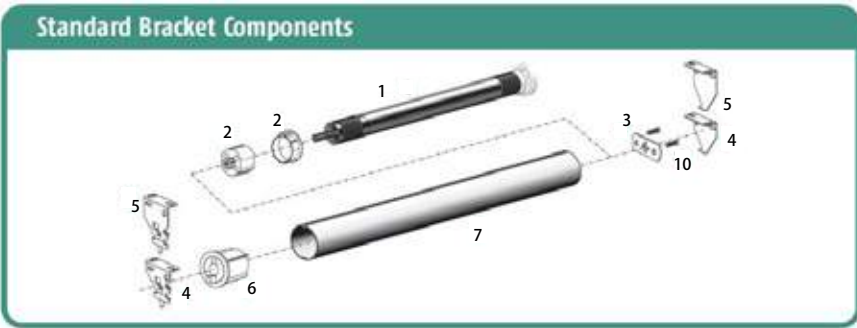
	<p>Ref. 9500685</p> <p>Plug end Bracket for tube 40 mm & above</p>
	<p>Ref. 9500683</p> <p>Motor Bracket for tube 40 mm & above</p>
	<p>Ref. 9500688</p> <p>Plug end for tube 40 mm & above to be used with a wheel</p>
	<p>Ref. 9500687</p> <p>Intermediate bracket set 40</p>



Terms and Conditions:

- * The above content is for project use only.
- * The technical specifications are subject to change without notice, for improvement purposes.
- * Colors and materials will be based on our samples and subject to availability.
- * Prices are subject to change without notice.

Sonesse 30 Mechanical Accessories



Sonesse 30 motors Accessories for Roller blinds

		Ref. 9013775 Wheel + Crown for tube Rollease 38 mm
		Ref. 9013938 Wheel + Crown for tube HD 38 mm
		Ref. 1014045 Wheel + Crown for tube Louvolite 40 mm
		Ref. 9014333 Wheel + Crown for tube Louvolite 45 mm



Terms and Conditions:

- * The above content is for project use only.
- * The technical specifications are subject to change without notice, for improvement purposes.
- * Colors and materials will be based on our samples and subject to availability.
- * Prices are subject to change without notice.

Sonesse 30 motors Accessories for Roller blinds

		<p>Ref. 9013775</p> <p>Wheel + Crown for tube Rollease 38 mm</p>
		<p>Ref. 9013938</p> <p>Wheel + Crown for tube HD 38 mm</p>
		<p>Ref. 1014045</p> <p>Wheel + Crown for tube Louvolite 40 mm</p>
<p>Motor bracket, End cap bracket and End cap</p>		<p>Ref. 9137009</p> <p>Bracket SET for tube round 38 mm</p>

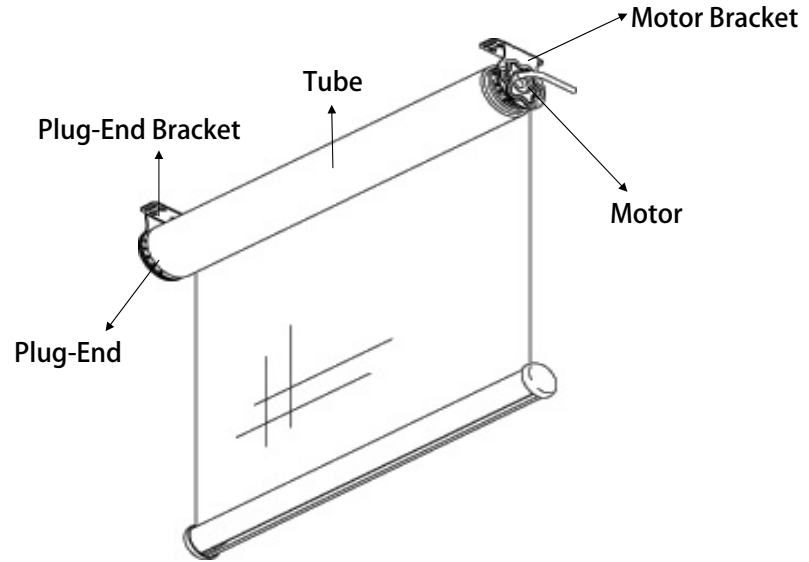
Terms and Conditions:

- * The above content is for project use only.
- * The technical specifications are subject to change without notice, for improvement purposes.
- * Colors and materials will be based on our samples and subject to availability.
- * Prices are subject to change without notice.

SONESSE 50 RTS

SONESSE 50 RTS(3/28) Not for KSA
 SONESE 50 RTS (3/32) for KSA only

Max Height 5 m
 Max Width 3 m
 Max Weight 12 kg



Sonesse 50 motors for Roller



Motor Type	Reference	Speed	Torque	Power
Sonesse 50	1030051	28 rpm	3 Nm	230 V



Round Head RH

(Full Silent Motors)



Standard Star Head



Terms and Conditions:

- * The above content is for project use only.
- * The technical specifications are subject to change without notice, for improvement purposes.
- * Colors and materials will be based on our samples and subject to availability.
- * Prices are subject to change without notice.

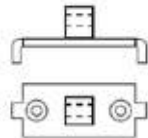

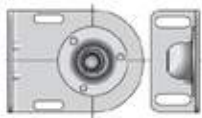


Sonesse 50 motors Technical View



Power Supply	230 V
Torque	3 Nm
Speed	28 rpm
Protection Rating	IP31
Operating Temperature	0-60 c
Dimensions	Diameter 50 mm / Length 800 mm

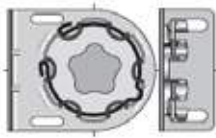
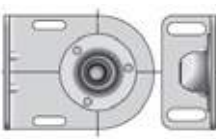


Maximum Weight of the blind 12 KG

Round Head RH Accessories

	Ref. 9910017 – Bracket to use with 50 RH motors
	Ref. 9410665 – Motor Bracket to use with 50 RH motors
	Ref. 9410633 – Plug end Bracket
	Ref. 9013593 – Plug end Cap
	Ref. 9410654 – Intermediate bracket with plug ends.

		<p>Ref. 9705287 – Wheel for tube with groove 57 x 1.5 mm Ref. 9705571 – Crown for tube with groove 57 x 1.5 mm</p>
		<p>Ref. 9420801 – Adjustable plug-end (Need 1 wheel and 1 crown)</p>
		<p>Ref. 9206088 – Wheel for 50 x 1.5 mm No extra crown required</p>

Standard Star Head Accessories

	<p>Ref. 9410651 – Motor Bracket to be used with star head motors</p>
	<p>Ref. 9410633 – Plug end Bracket</p>
	<p>Ref. 9013593 – Plug end Cap</p>
	<p>Ref. 9410654 – Intermediate bracket with plug ends.</p>



Terms and Conditions:

- * The above content is for project use only.
- * The technical specifications are subject to change without notice, for improvement purposes.
- * Colors and materials will be based on our samples and subject to availability.
- * Prices are subject to change without notice.

ALTUS 40

ALTUS 40 (3/30) Not for KSA

ALTUS 40 (3/34) for KSA only

Max Height 5 m
Max Width 3 m
Max Weight 12 kg
Specially for project / controlled by automation

Screen & Blackout



Altus 40 Motors for Roller

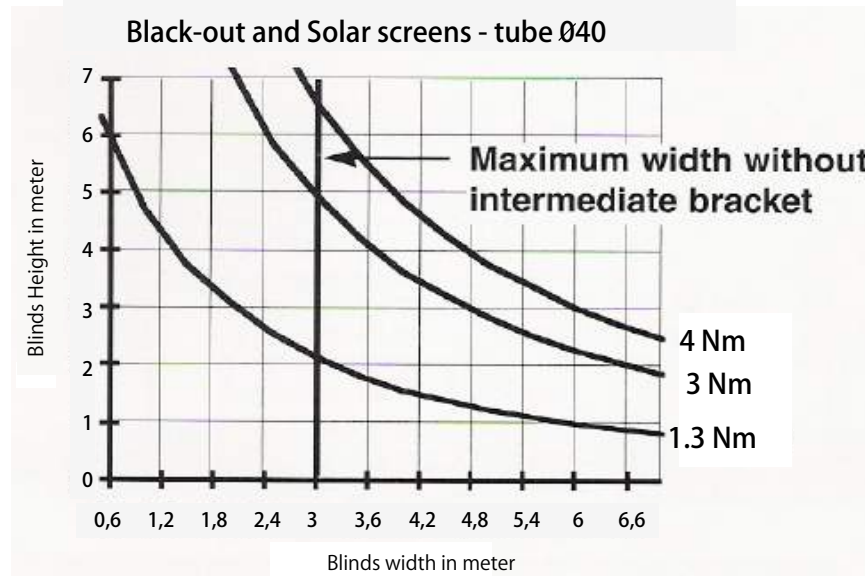


Motor Type	Reference	Speed	Torque	Power
Altus 40 3/30	1020056	30 rpm	3 Nm	230V

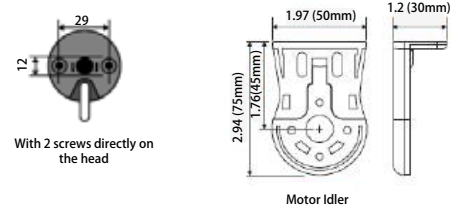
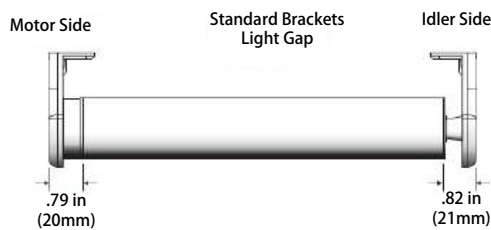
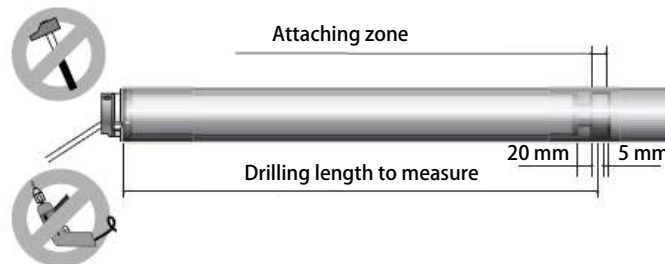
Terms and Conditions:

- * The above content is for project use only.
- * The technical specifications are subject to change without notice, for improvement purposes.
- * Colors and materials will be based on our samples and subject to availability.
- * Prices are subject to change without notice.

Roller Shades Motor Selection








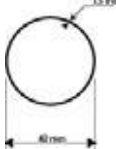


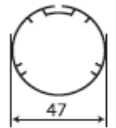



Altus 40 Assembly





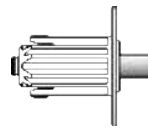

Terms and Conditions:

- * The above content is for project use only.
- * The technical specifications are subject to change without notice, for improvement purposes.
- * Colors and materials will be based on our samples and subject to availability.
- * Prices are subject to change without notice.

Altus 40 Accessories for Roller blinds

 Ref. 9701210	 Ref. 9701209	Ref. 9701210 Crown for tube Warema 50x1.5mm Ref. 9701209 Wheel for tube Warema 50x 1.5 mm	 Warema 50
 Ref. 9147544	 Ref. 9147330	Ref. 9147544 Wheel for tube round 40x1.5mm Ref. 9147330 Crown for tube round 40x 1.5 mm	 13mm 40mm
 Ref. 9500322	 Ref. 9147330	Ref. 9500322 Wheel for tube round 40x1.5mm Ref. 9147330 Crown for tube round 40x 1.5 mm	 47
 Ref. 9132145	 Ref. 9500344	Ref. 9132145 Crown for tube Octagonal 40 mm Ref. 9500344 Wheel for tube Octagonal 40 mm	

Altus 40 motors Accessories for Roller blinds

	Ref. 9500685 Plug end bracket for tube 40 mm & above
	Ref. 9500683 Motor Bracket for tube 40 mm & above
	Ref. 9500688 Plug end for tube 40 mm & above to be used with a wheel
	Ref. 9500687 Intermediate bracket set 40 mm

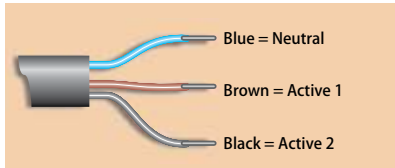
LS 40 MERCURE w/out receiver

LS40

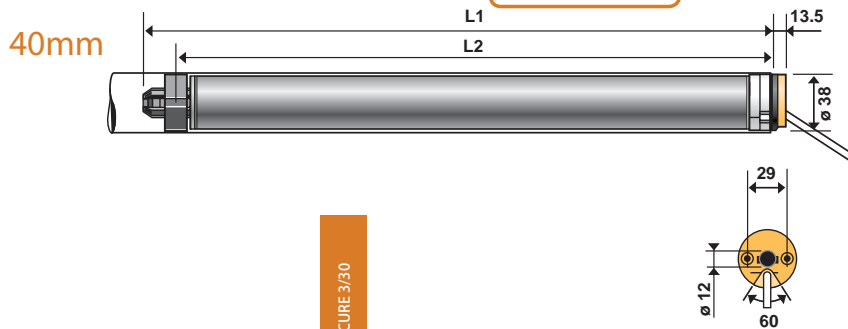
Max Height 5 m
 Max Width 3 m
 Max Weight 12 kg
 Specially for project / controlled by automation



TECHNICAL CHARACTERISTICS



CLASS II
 The LS40 is classified as a Class II Double Insulated Device. As such an earth connection is NOT required.



	MERCURE 3/30
L1 (mm)	442
L2 riveting distance (mm)	421
Torque (Nm)	3
Speed (rpm)	30
Turn Capacity	40
Rated Voltage (V)	230
Rated Power consumption (W)	80
Rated Current (A)	0.4
Running time before thermal cut off (min)	4
Thermal cut off temp (° C)	140
Average running noise (dbA)	52
Minimum tube diameter	40 x 1.5
Motor weight (kg)	0.95
Cable length (M)	2.5
Number of cores in cable	3
Cross section of cable (mm ²)	0.75
Index Protection	IP44

Normal functioning temperature: -10°C to +40°C



Terms and Conditions:

- * The above content is for project use only.
- * The technical specifications are subject to change without notice, for improvement purposes.
- * Colors and materials will be based on our samples and subject to availability.
- * Prices are subject to change without notice.

ALTUS 50 (6/32)

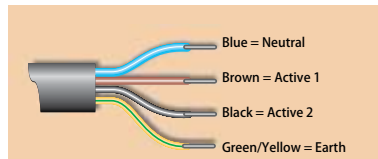
ALTUS 50 (6/32) Not for KSA
 ALTUS 50 220v (6/38) for KSA only
 ALTUS 50 110v (8/20) for KSA only

ALTUS 50

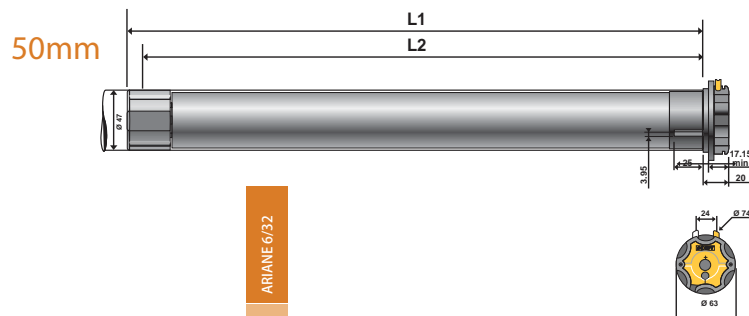
Max Height 6 m
 Max Width 3 m
 Max Weight 12 kg
 Specially for project / controlled by automation



TECHNICAL CHARACTERISTICS



NOTE
 Information about the noise is according to Somfy measures and is for information only. Taken as the worst value in load, for the up direction during the first 10 seconds of travel.



	ARIANE 6/32
L1 (mm)*	525
L2 riveting distance (mm)*	510
Torque (Nm)	6
Speed (rpm)	32
Turn Capacity	46
Rated Voltage (V)	230
Rated Power consumption (W)	120
Rated Current (A)	0.5
Running time before thermal cut off (min)	4
Thermal cut off temp (° C)	140
Average running noise (dbA)	52
Minimum tube diameter	50 x 1.5
Motor weight (kg)	1.85
Cable length (M)	2.5
Number of cores in cable	4
Cross section of cable (mm ²)	0.75
Index Protection	IP44

Normal functioning temperature: -10° C to +40° C

*For wheels on tubes ø50 x 1.5 add 8mm to L1 (mm) and L2.



Terms and Conditions:

- * The above content is for project use only.
- * The technical specifications are subject to change without notice, for improvement purposes.
- * Colors and materials will be based on our samples and subject to availability.
- * Prices are subject to change without notice.

ALTUS 50 (10/32)

ALTUS 50 (10/32) Not for KSA

Max Height	6 m
Max Width	3 m
Max Weight	12 kg

ALTUS 50 (10/36) for KSA only

Max Height	15 m
Max Width	3 m
Max Weight	12 kg
For Extreme high window	



YorkWeave®

ROLLER BLINDS MOTOR

ALTUS 50 RTS

For Extremely High Windows

somfy®

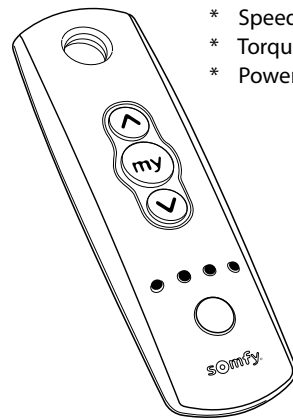
Remote Control



Features

- * Maximum Height : 15.00m
- * Motor : Altus 50-10/32 with 100mm diameter tube
- * Motor : Altus 50-10/36 with 100mm diameter tube (for KSA only)
- * Maximum Height : 10.00m
- * Motor : Altus 50-10/32 with 85mm diameter tube
- * Motor : Altus 50-10/36 with 85mm diameter tube (for KSA only)

- * Tubular Actuator: 230V - 50Hz with integrated brake.
- * Motor cable can be plugged in directly in the motor



- * Speed : 32 RPM
- * Torque : 10 Nm
- * Power : 175 watts

HOME MOTION by somfy®

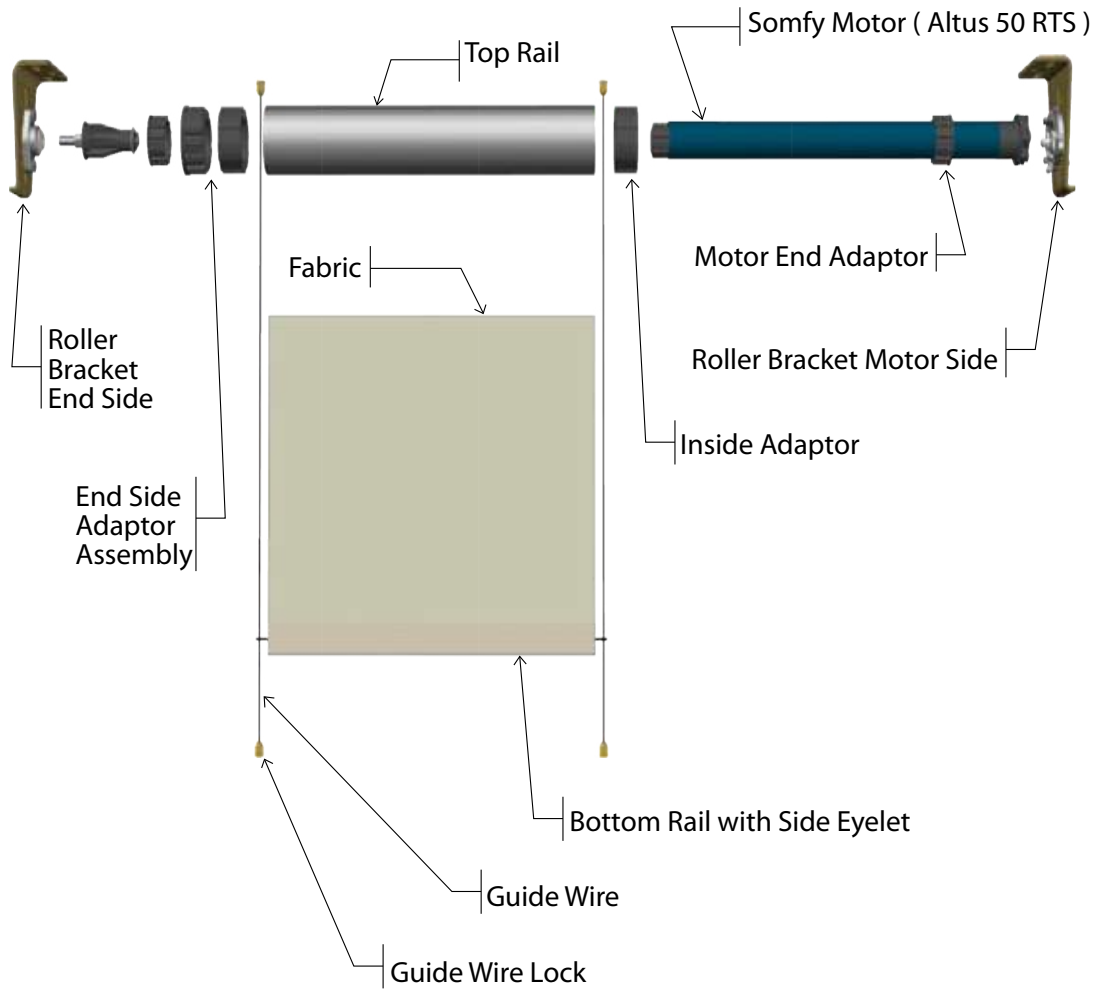
17

سیدار
SEBAR®

Terms and Conditions:

- * The above content is for project use only.
- * The technical specifications are subject to change without notice, for improvement purposes.
- * Colors and materials will be based on our samples and subject to availability.
- * Prices are subject to change without notice.

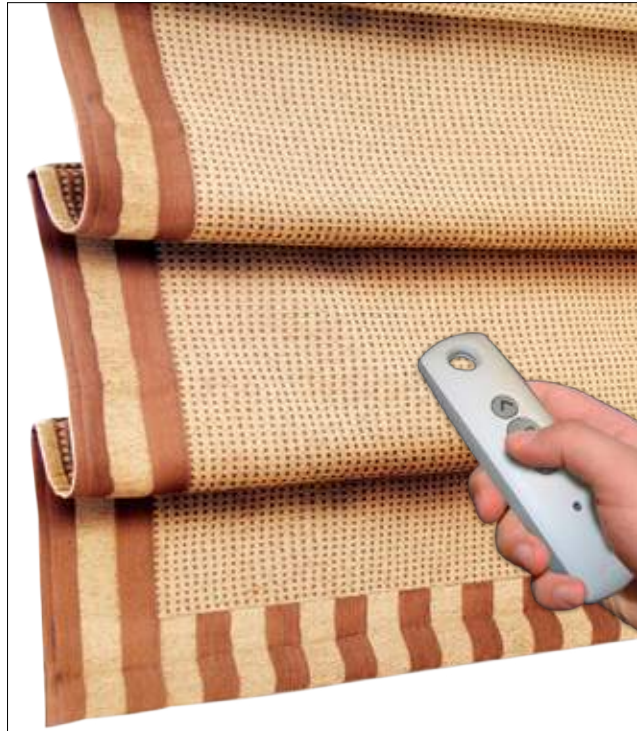
ROLLER BLINDS MOTOR
ALTUS 50 RTS
FOR EXTREMELY HIGH WINDOWS
(Exploded Drawing)



Terms and Conditions:

- * The above content is for project use only.
- * The technical specifications are subject to change without notice, for improvement purposes.
- * Colors and materials will be based on our samples and subject to availability.
- * Prices are subject to change without notice.

Somfy Motors for Roman Blinds



Terms and Conditions:

- * The above content is for project use only.
- * The technical specifications are subject to change without notice, for improvement purposes.
- * Colors and materials will be based on our samples and subject to availability.
- * Prices are subject to change without notice.

SONESSE 50 RTS

SONESSE 50 RTS (3/28) Not for KSA
SONESSE 50 RTS (3/32) for KSA only

Max Weight 12kg

Sonesse 50 motors Technical View



Power Supply	230 V
Torque	3 Nm
Speed	28 rpm
Protection Rating	IP31
Operating Temperature	0-60 c
Dimensions	Diameter 50 mm / Length 800 mm

Maximum Weight of the blind 12 KG

Sonesse 50 motors for Roman



Motor Type	Reference	Speed	Torque	Power
Sonesse 50	1030051	28 rpm	3 Nm	230 V

(Full Silent Motors)



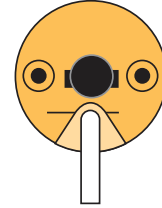
Round Head RH



Standard Star Head

- * The above content is for project use only.
- * The technical specifications are subject to change without notice, for improvement purposes.
- * Colors and materials will be based on our samples and subject to availability.
- * Prices are subject to change without notice.

Somfy Motors for Wooden Blinds



Terms and Conditions:

- * The above content is for project use only.
- * The technical specifications are subject to change without notice, for improvement purposes.
- * Colors and materials will be based on our samples and subject to availability.
- * Prices are subject to change without notice.

LS 40 (9/14)

LS40 (9/14) not for K.S.A LS40 (9/16) for K.S.A only

Max Height 5 m (1.6 m width)
Max Width 2.4 m (3.6 m height)

MAIN CHARACTERISTICS & FEATURES

230V / 50Hz tubular motor.

The LS40 is a hardwired motor suitable for Roman blinds and timber venetians. With its slim 38mm design, it can be adapted to Ø40mm tubes with the cord take up system or Roman spools. A quiet drive, reliable progressive limiting and low power consumption are a few of the design features of the LS40. Venetian tilting functions are achieved through the use of a suitable wall switch or remote receiver.

Progressive (screw type) set limits.

40 turn limit capacity.

Suitable for tubes: Ø40 and Ø40 octagonal.

230V switch control via electronic or mechanical means.*

Requires the use of a crown and wheel for tube adaptation.

Horizontal mount only.

Intermittent Usage.

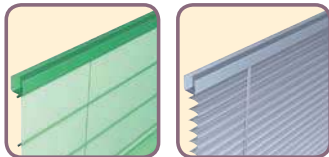


40mm

MARS 9/14	Torque (Nm) 9	Speed (RPM) 14	Ref. 1023010
-----------	---------------	----------------	--------------

* Parallel wiring of motors is prohibited without the use of an isolation controller, eg. 4AC Motor Controller, 4 Motor Group Controller, etc. Direct switching of a 230V motor must always be done via a mechanical interlock.

For:



Balloon / Roman Blinds
Timber Venetians

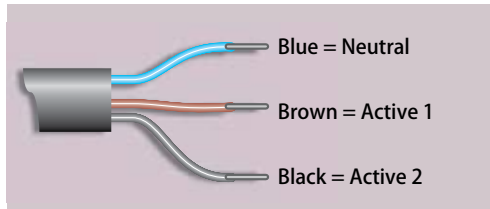


Terms and Conditions:

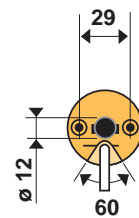
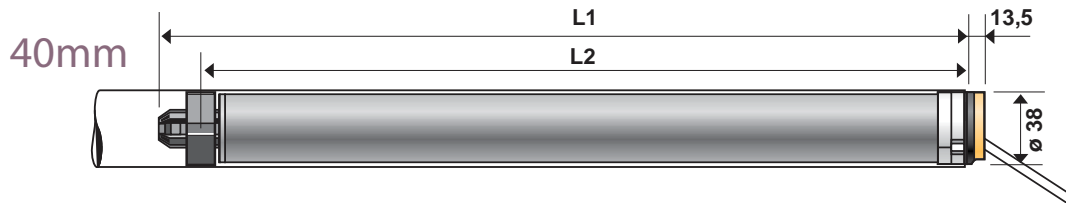
- * The above content is for project use only.
- * The technical specifications are subject to change without notice, for improvement purposes.
- * Colors and materials will be based on our samples and subject to availability.
- * Prices are subject to change without notice.

LS40

TECHNICAL CHARACTERISTICS



CLASS II
The Altus 40 is classified as a Class II Double Insulated Device. As such an earth connection is NOT required.



	MARS 9/14
L1(mm)	442
L2 riveting distance (mm)	421
Torque (Nm)	9
Speed (rpm)	14
Turn Capacity	40
Rated Voltage (V)	230
Rated Power consumption (W)	100
Rated Current (A)	0.5
Running time before thermal cut off (min)	4
Thermal cut off temp (° C)	140
Average running noise (dbA)	54
Minimum tube diameter	40 x 1.5
Motor weight (kg)	1.06
Cable length (M)	2.5
Number of cores in cable	3
Cross section of cable (mm ²)	0.75
Index Protection	IP44

HOME MOTION by **somfy**



Terms and Conditions:

- * The above content is for project use only.
- * The technical specifications are subject to change without notice, for improvement purposes.
- * Colors and materials will be based on our samples and subject to availability.
- * Prices are subject to change without notice.

TILT WIREFREE RTS

used with modulis remote only



MAIN CHARACTERISTICS & FEATURES

12V DC Battery tilt only motor

When a retrofit is required or power cannot be accessed for a timber venetian the Tilt Wirefree is the answer. Utilising power saving software and a reloadable battery wand, RTS Modulis functionality and with an adaptable design, it is suitable for 51 x 57mm or 38 x 57mm headrails and a variety of shafts. The Tilt Wirefree does not require an electrician to install due to the SELV (Safety Extra-Low Voltage) 12v it uses and requires no extra effort than a manual blind to install.

Remote set limits with Modulis compatibility.*

Suitable for headrails: 51 x 57mm and 38 x 57mm.

Suitable for shafts: 4mm square, 5mm hexagonal, D-rod.

Memory Capacity: 12 channels / transmitters.

Programmable "my" position.

Requires the use of specific headrail and drive shaft adaptors.

Horizontal mount only.

Intermittent Usage.



TILT WIREFREE RTS

Torque (Nm) 1

Speed (RPM) 12

Ref. 1000678

* Modulis remote required.

25



HOME MOTION by **somfy**

سيڤار
SEBAR®

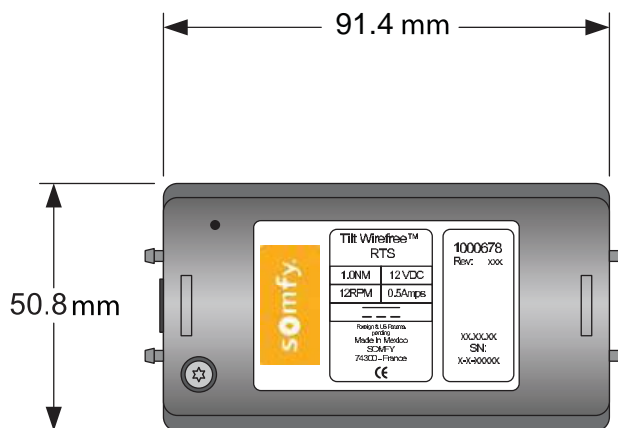
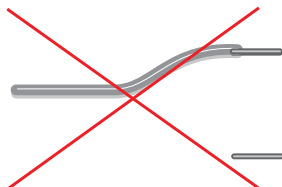
Terms and Conditions:

- * The above content is for project use only.
- * The technical specifications are subject to change without notice, for improvement purposes.
- * Colors and materials will be based on our samples and subject to availability.
- * Prices are subject to change without notice.

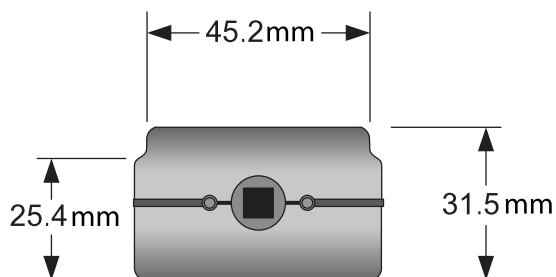
TILT WIREFREE RTS



TECHNICAL CHARACTERISTICS



	TILT WIREFREE RTS
Torque (Nm)	1
Speed (rpm)	12
Rated Voltage (V)	12
Rated Current (A)	0.4
Running time before thermal cut off (min)	5
Average running noise (dbA)	44
Motor weight (kg)	0.45
Index Protection	IP30

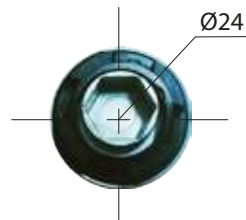


Normal functioning temperature: 0° C to +60° C

Terms and Conditions:

- * The above content is for project use only.
- * The technical specifications are subject to change without notice, for improvement purposes.
- * Colors and materials will be based on our samples and subject to availability.
- * Prices are subject to change without notice.

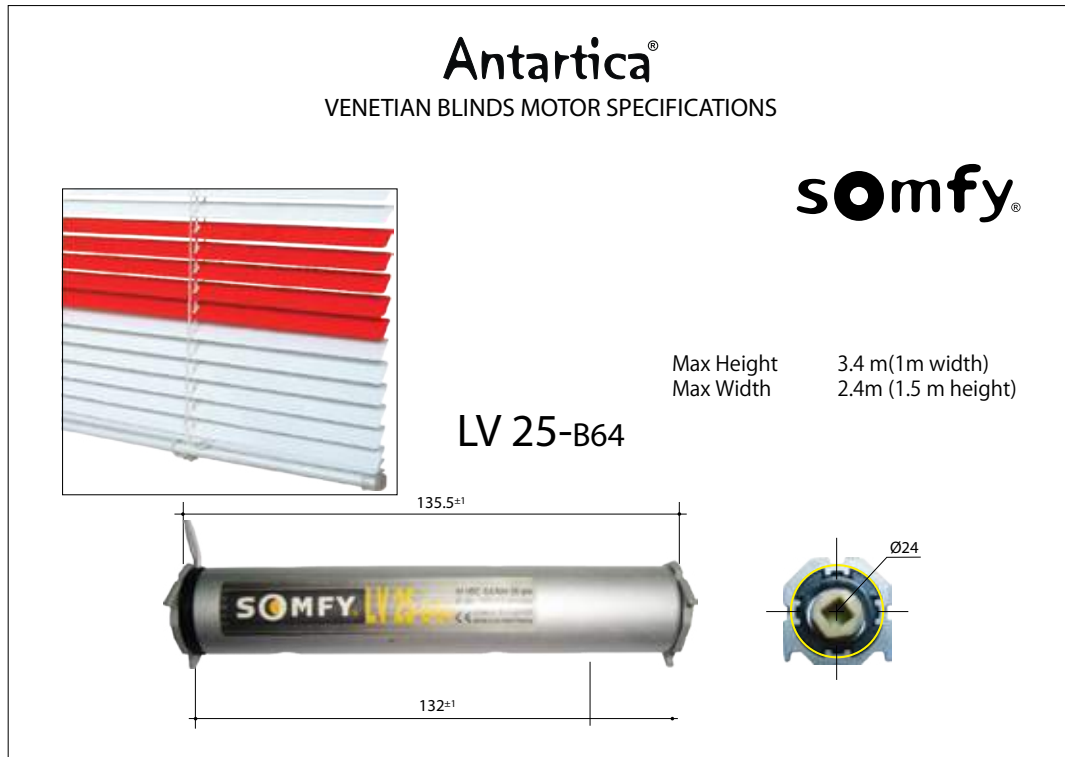
Somfy Motors for Mini Venetian Blind



Terms and Conditions:

- * The above content is for project use only.
- * The technical specifications are subject to change without notice, for improvement purposes.
- * Colors and materials will be based on our samples and subject to availability.
- * Prices are subject to change without notice.

LV 25-B64

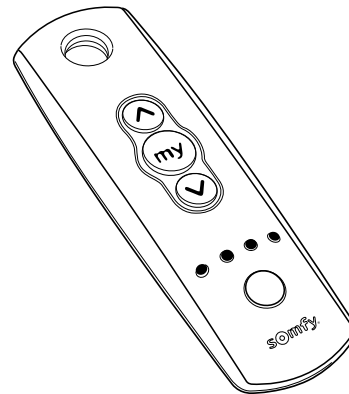


Features

- * Nominal Torque (Nm) : 0.6
 - * Nominal Speed (r.p.m.) : 35
 - * Power consumption (watt) : 9.6
 - * Rating (ampere) : 0.4
 - * Motor outside diameter. : 24
 - * Motor weight (kg) : 0.145
 - * Cable length (m) : 2.5
 - * Dielectric strenght : II
 - * Photographer index : IP40
 - * Lifting capacity for Roller Blinds : 3
- * Single output shaft actuator 24VDC with integrated brake, torque limiter, shift play equalizer. Special constructions giving low noise emission.
- * For Venetian, Roman, horizontal pleated or cellular blinds.

* Adaptation to head rail by specifically for different types and sizes of head rails designed clip-on adapters.

* Adaptation to shaft by specifically to shift designed adapter recessed in actuator.



Terms and Conditions:

- * The above content is for project use only.
- * The technical specifications are subject to change without notice, for improvement purposes.
- * Colors and materials will be based on our samples and subject to availability.
- * Prices are subject to change without notice.

MOTORIZED BLINDS

Mounting : Side mounted on a single shaft.

Down Limit : No or by built-in over torque limiter once rotation is blocked (by external mechanical stop device e.g. ams25).

Up Limit : No or by built-in over torque limiter once rotation is blocked (by external mechanical stop e.g. head rail).

Installation : Automatic setting of top limit to avoid problems caused by Dimensional Instability

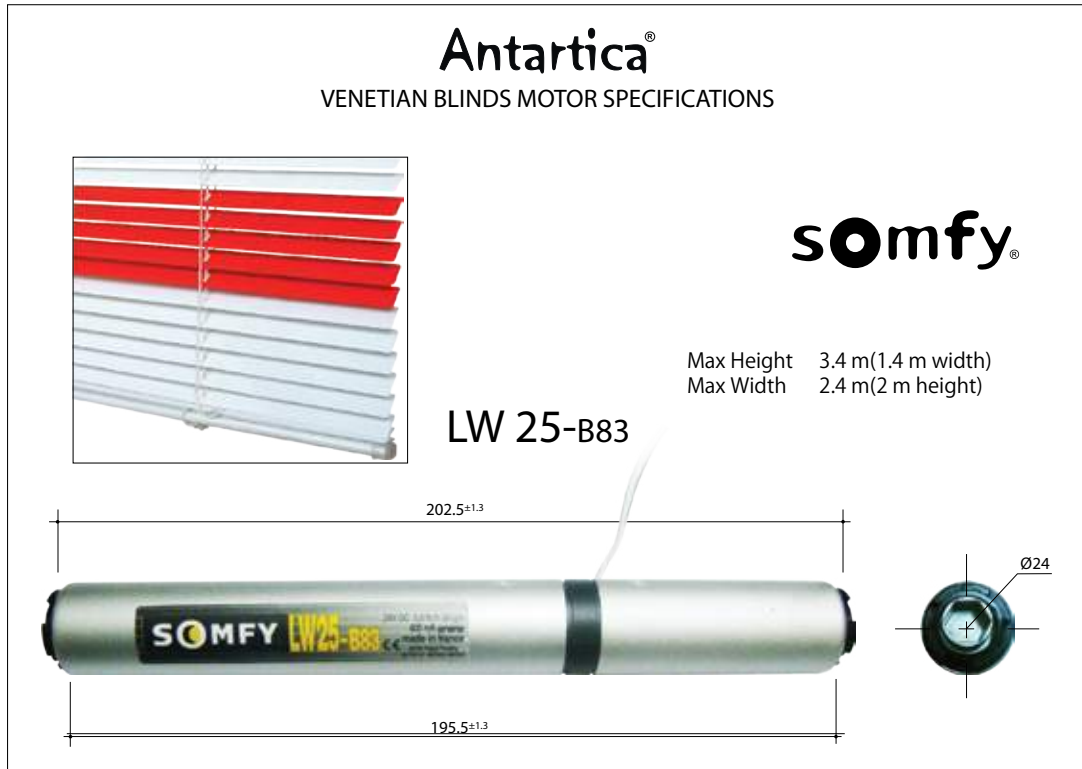
of card or tapes during life time: Blinds are always aligned in top position once and stacked against head rail.



Terms and Conditions:

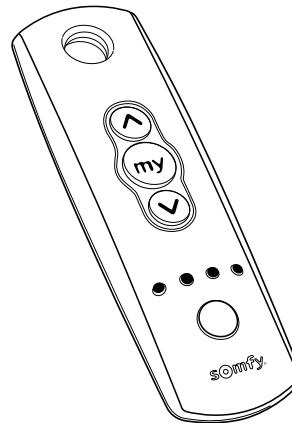
- * The above content is for project use only.
- * The technical specifications are subject to change without notice, for improvement purposes.
- * Colors and materials will be based on our samples and subject to availability.
- * Prices are subject to change without notice.

LW 25-B83



Features

- * Nominal Torque (Nm) : 0.8
- * Nominal Speed (r.p.m.) : 30
- * Power consumption (watt) : 15.6
- * Rating (ampere) : 0.65
- * Motor outside diam. : 24
- * Motor weight (kg) : 0.195
- * Cable length (m) : 2.5
- * Dielectric strength : III
- * Photographer index : IP40
- * Lifting capacity for Venetian Blinds : 4



Terms and Conditions:

- * The above content is for project use only.
- * The technical specifications are subject to change without notice, for improvement purposes.
- * Colors and materials will be based on our samples and subject to availability.
- * Prices are subject to change without notice.

MOTORIZED BLINDS

Mounting

Center mounting : Ideal for large blinds as the torque is equally shared.

Limits

Down Limit : No or by built-in over torque limiter once rotation is blocked (by external mechanical stop device e.g. ams25).

Up Limit : No or by built-in over torque limiter once rotation is blocked (by external mechanical stop e.g. head rail).

Installation : Automatic setting of top limit to avoid problems caused by Dimensional Instability of card or tapes during life time: Blinds are always aligned in top position once, stacked against head rail.

Control Range : Connection by 2 wires only. Compatibility with concept 25 control systems.



Terms and Conditions:

- * The above content is for project use only.
- * The technical specifications are subject to change without notice, for improvement purposes.
- * Colors and materials will be based on our samples and subject to availability.
- * Prices are subject to change without notice.

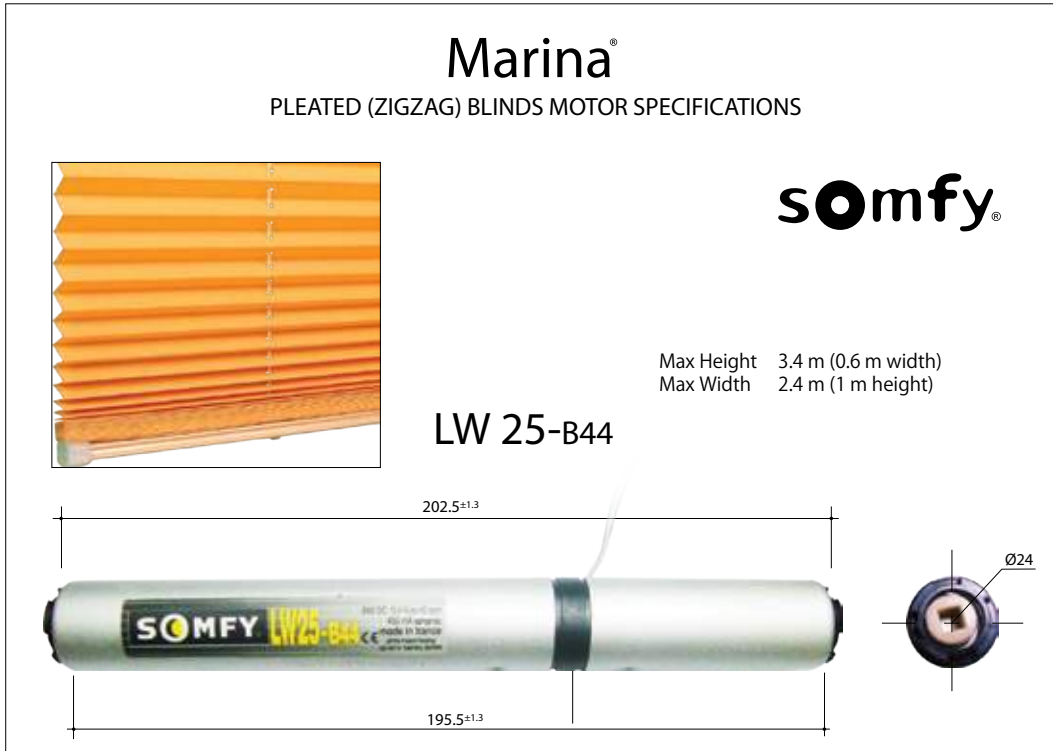
Somfy Motors for Pleated Blinds



Terms and Conditions:

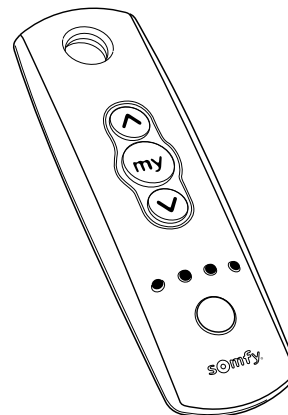
- * The above content is for project use only.
- * The technical specifications are subject to change without notice, for improvement purposes.
- * Colors and materials will be based on our samples and subject to availability.
- * Prices are subject to change without notice.

LW 25-B44



Features

- * Nominal Torque (Nm) : 0.4
- * Nominal Speed (r.p.m.) : 40
- * Power consumption (watt) : 10.8
- * Rating (ampere) : 0.45
- * Motor outside diam. : 24
- * Motor weight (kg) : 0.195
- * Cable length (m) : 2.5
- * Dielectric strenght : III
- * Photographer index : IP40



Terms and Conditions:

- * The above content is for project use only.
- * The technical specifications are subject to change without notice, for improvement purposes.
- * Colors and materials will be based on our samples and subject to availability.
- * Prices are subject to change without notice.

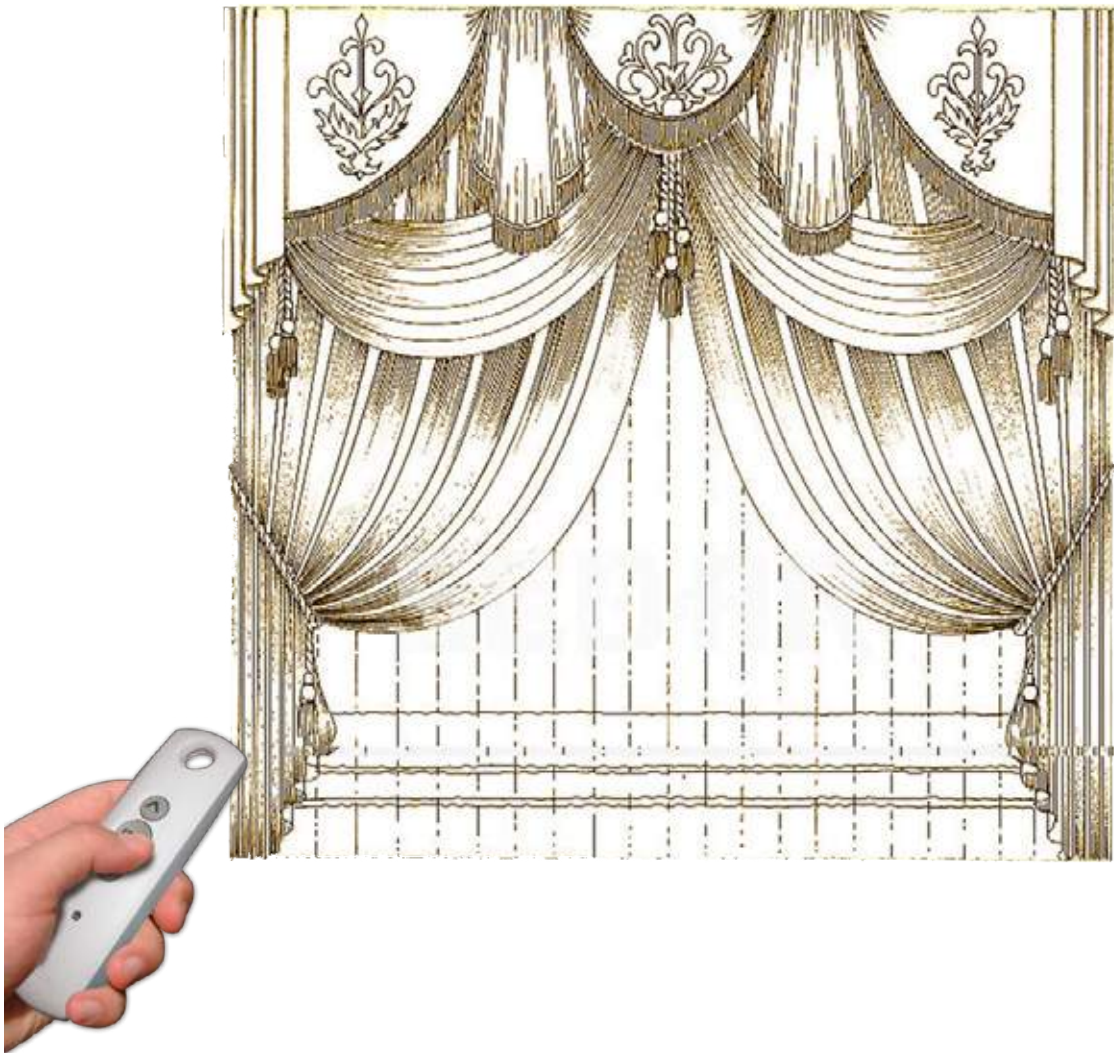
MOTORIZED BLINDS

- Mounting** : Center mounting: Ideal for large blinds as the torque is equally shared.
- Limits** : Down Limit: No or by built-in over torque limiter once rotation is blocked (by external mechanical stop device e.g. ams25).
- Up Limit** : No or by built-in over torque limiter once rotation is blocked (by external mechanical stop e.g. head rail).
- Installation** : Automatic setting of top limit to avoid problems caused by Dimensional Instability of card or tapes during life time: Blinds are always aligned in top position once, stacked against head rail.
- Control Range** : Connection by 2 wires only. Compatibility with concept 25 control systems.

Terms and Conditions:

- * The above content is for project use only.
- * The technical specifications are subject to change without notice, for improvement purposes.
- * Colors and materials will be based on our samples and subject to availability.
- * Prices are subject to change without notice.

Somfy Motors for Fabric Curtain



35



HOME MOTION by **somfy**

سیدار
SEDAR

Terms and Conditions:

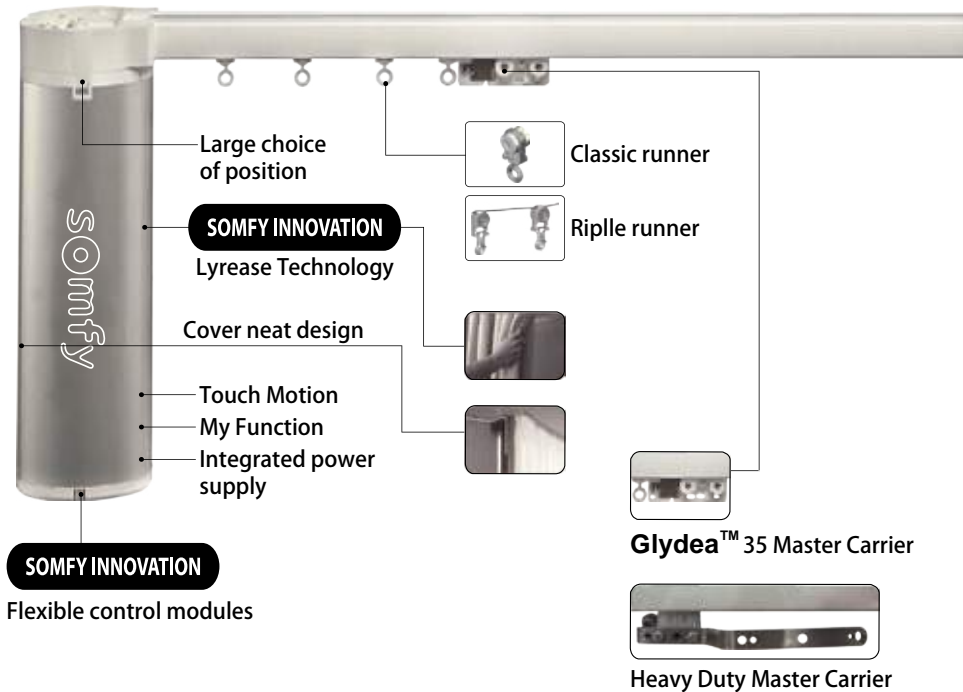
- * The above content is for project use only.
- * The technical specifications are subject to change without notice, for improvement purposes.
- * Colors and materials will be based on our samples and subject to availability.
- * Prices are subject to change without notice.

GLYDEA SOMFY

Glydea 35
 Max Weight 35 kg (straight)
 Max Width 10 m (35 kg)
 10 kg / 6 m height (curved)

Glydea 60
 Max Weight 35 kg (straight)
 Max Width 12 m (55 kg)
 20 kg / 10 m height (curved)

Glydea™ Somfy



Glydea™

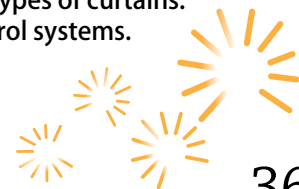
The sophistication of Glydea is reflected in the simple forms and sleek lines of the motor and the rail.

Aesthetic

- * Somfy innovation: Patented cover neat design, hides the cabling and protects the connectors and the control modules inside the motor.
- * Reduce gap light thanks to the rail design and the swivel ceiling bracket.
- * Adjustable limits, to allow the curtain to fall nicely.

Flexibility

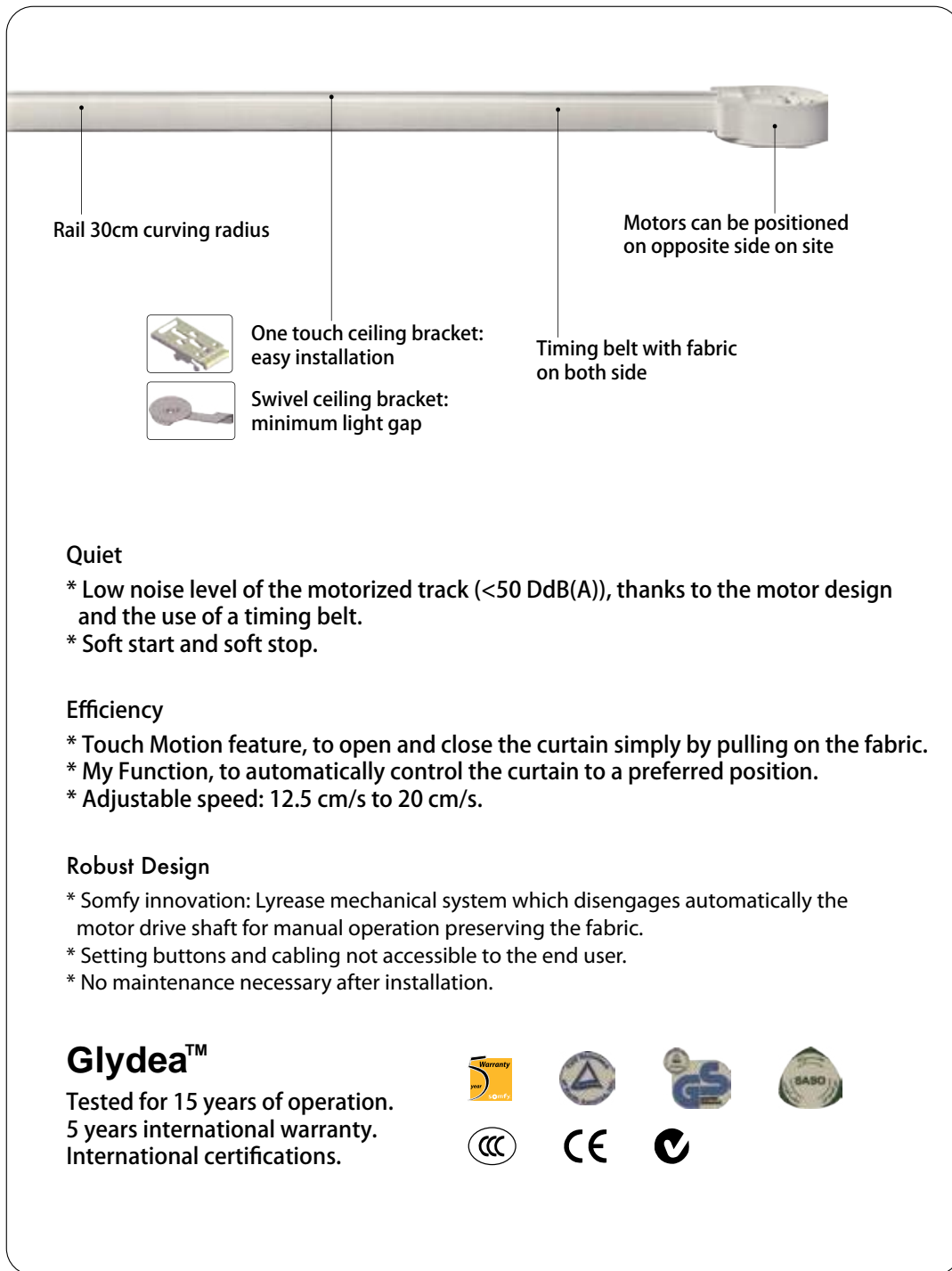
- * Large offer of hardware. Components to adapt to different types of curtains.
- * Somfy innovation: Plug in modules for a large range of control systems.



Terms and Conditions:

- * The above content is for project use only.
- * The technical specifications are subject to change without notice, for improvement purposes.
- * Colors and materials will be based on our samples and subject to availability.
- * Prices are subject to change without notice.

Glydea™ Somfy



Rail 30cm curving radius

Motors can be positioned on opposite side on site

One touch ceiling bracket: easy installation

Swivel ceiling bracket: minimum light gap

Timing belt with fabric on both side

Quiet

- * Low noise level of the motorized track (<50 DdB(A)), thanks to the motor design and the use of a timing belt.
- * Soft start and soft stop.

Efficiency








- * Touch Motion feature, to open and close the curtain simply by pulling on the fabric.
- * My Function, to automatically control the curtain to a preferred position.
- * Adjustable speed: 12.5 cm/s to 20 cm/s.

Robust Design

- * Somfy innovation: Lyrease mechanical system which disengages automatically the motor drive shaft for manual operation preserving the fabric.
- * Setting buttons and cabling not accessible to the end user.
- * No maintenance necessary after installation.

Glydea™

Tested for 15 years of operation.
5 years international warranty.
International certifications.


Terms and Conditions:

- * The above content is for project use only.
- * The technical specifications are subject to change without notice, for improvement purposes.
- * Colors and materials will be based on our samples and subject to availability.
- * Prices are subject to change without notice.

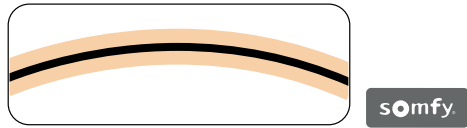
Glydea™

The flexibility of Glydea™ gives all the solutions to answer to the most demanding projects.

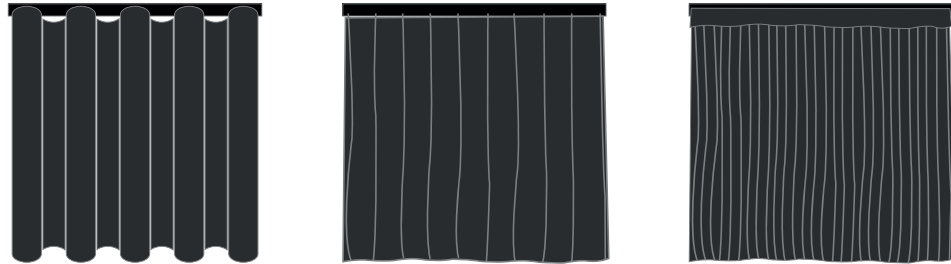
Adaptability

- * A large range of solutions, with only one rail, two types of motors and several control modules.
- * The offers can be personalized, thanks to a large range of options.

Universal



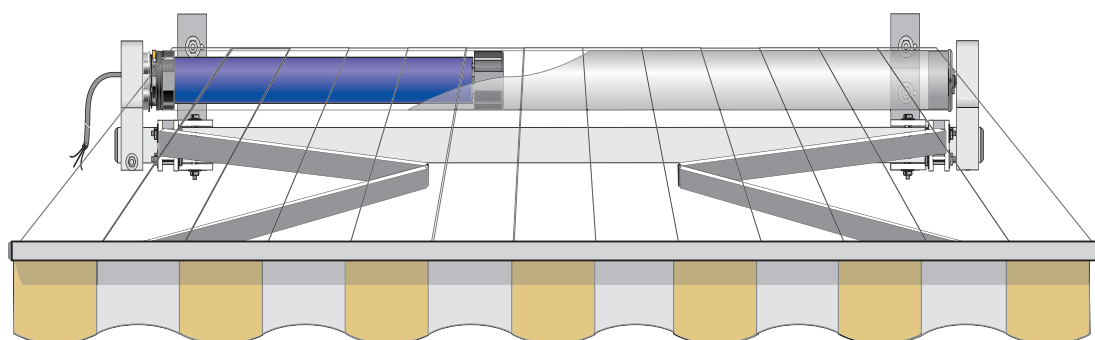
- * Rail up to 15m long.
- * Bending radius is up to 30cm.
- * Large choice of rail shapes.
- * Curtain weight up to 100kg (tandem)
- * Large range of accessories to adapt to different types of curtains.



Terms and Conditions:

- * The above content is for project use only.
- * The technical specifications are subject to change without notice, for improvement purposes.
- * Colors and materials will be based on our samples and subject to availability.
- * Prices are subject to change without notice.

Somfy Motors for Awning



Terms and Conditions:

- * The above content is for project use only.
- * The technical specifications are subject to change without notice, for improvement purposes.
- * Colors and materials will be based on our samples and subject to availability.
- * Prices are subject to change without notice.

ALTUS 60 RTS

ALTUS 60 RTS

MAIN CHARACTERISTICS & FEATURES

230V / 50Hz tubular motor.

The Altus RTS (Radio Technology Somfy) is suitable for a wide range of awning applications. Available in torques from 25Nm (50mm) to 120Nm (60mm) and coupled with its 48mm or 60mm (respectively) design, it is adapted for Ø50 tubes and above. A built-in radio receiver with Somfy's rolling code for RTS control, the Altus RTS allows the user to operate almost any application with the convenience of a remote control.

Remote set limits.

Turning capacity limited only by thermal time.

Suitable for tubes: Ø50 to Ø85.

Memory Capacity: 12 transmitters, plus 3 sensors.

Programmable "my" position.

Requires the use of a crown and wheel for tube adaptation.

Horizontal mount only.

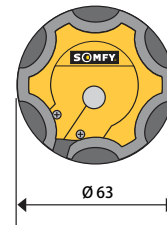
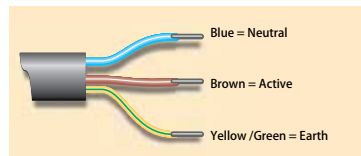
Intermittent Usage.



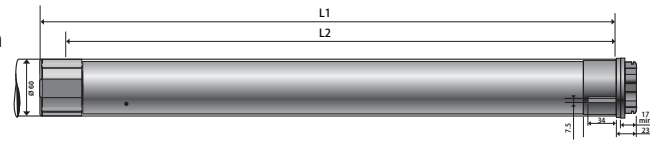
60mm

ALTUS RTS 55/17	Torque (Nm)	55	Speed (RPM)	17	Ref.	1163103
-----------------	-------------	----	-------------	----	------	---------

TECHNICAL CHARACTERISTICS



60mm



ALTUS RTS 55/17

L1 (mm)	655
L2 riveting distance (mm)	640
Torque (Nm)	55
Speed (rpm)	17
Rated Voltage (V)	230
Rated Power consumption (W)	170
Rated Current (A)	0.8
Running time before thermal cut off (min)	4
Thermal cut off temp (° C)	150
Average running noise (dbA)	56
Minimum tube diameter	50 x 1.5
Motor weight (kg)	2.34
Cable length (M)	3
Number of cores in cable	3
Cross section of cable (mm ²)	0.75
Index Protection	IP44

Normal functioning temperature: -10° C to +40° C * Thermal protection will not automatically reset. Power off then on the motor to reset.

NOTE

Information about the noise is according to Somfy measures and is for information only. Taken as the worst value in load, for the up direction during the first 10 seconds of travel.

HOME MOTION by **somfy**



40

سيڤار
SEBAR®

Terms and Conditions:



- * The above content is for project use only.
- * The technical specifications are subject to change without notice, for improvement purposes.
- * Colors and materials will be based on our samples and subject to availability.
- * Prices are subject to change without notice.

REMOTE



CONTROLS

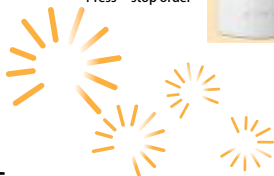


HAND HELD - RTS REMOTES

PURE	LOUNGE	TELIS 1 RTS
		<p>One channel radio remote.</p> <p>Allows for the individual or group control of RTS motors / receivers. Somfy Rolling Code. 200m range in an open area and up to 20m range through two reinforced concrete walls.</p> <p>Frequency: 433.42MHz.</p> <p>IP30(except for Patio: IP44).</p> <p>Supplied with wall mount.</p> <p>Dimensions: 145 x 49 x 22mm. (except for Pure: 134 x 41 x 21mm)</p>
1810630	1810649 Shock Resistant	

PURE	LOUNGE	TELIS 4 RTS
		<p>Five channel radio remote.</p> <p>Allows for the individual and / or group control of RTS motors / receivers. Somfy Rolling Code. 200m range in an open area and up to 20m range through two reinforced concrete walls.</p> <p>Frequency: 433.42MHz.</p> <p>IP30(except for Patio: IP44).</p> <p>Supplied with wall mount.</p> <p>Dimensions: 145 x 49 x 22mm. (except for Pure: 134 x 41 x 21mm)</p>
1810631	1810651 Shock Resistant	

TELIS 16 RTS	PATIO	TELIS SOLIRIS RTS
<p>Possibility to associate an icon to the channel (optional).</p> <p>Possibility to name each channel and associate a number</p> <p>Product stationary Press = move to "my" position order Product in motion Press = stop order</p>  <p>Channel number</p> <p>Channel Selection</p> <p>Press = Up order</p> <p>Press = Down order</p>	 <p>Ref. 1810646</p> <p>Shock Resistant</p>	<p>Sun / Wind radio remote.</p> <p>Allows for the individual or group control of RTS motors / receivers. Used to inhibit the Sun function. Somfy Rolling Code.</p> <p>200m range in an open area and up to 20m range through two reinforced concrete walls.</p> <p>Frequency: 433.42MHz.</p> <p>(Pure)IP44 (Patio).</p> <p>IP30 Supplied with wall mount.</p> <p>Dimensions Pure: 134 x 41 x 21mm. Dimensions Patio: 145 x 49 x 22mm.</p>



Terms and Conditions:

- * The above content is for project use only.
- * The technical specifications are subject to change without notice, for improvement purposes.
- * Colors and materials will be based on our samples and subject to availability.
- * Prices are subject to change without notice.

Telis 4 Modulis RTS



Telis 4
Modulis
RTS Pure



Telis 1
Modulis
RTS Pure



Telis 1
Modulis
RTS Lounge



Telis 4
Modulis
RTS Lounge

5-channel radio hand transmitter, manual controlling of one or more Venetian blind motors per radio. Comfortable setting of

the slats through a handwheel. Telis 4 Modulis RTS = 5-channel: individual and group operation possible.

Telis 4 Modulis RTS Pure	1 810 765
Telis 4 Modulis RTS Lounge	1 810 664

Delivery included : hand transmitter including wall bracket and battery.



Terms and Conditions:

- * The above content is for project use only.
- * The technical specifications are subject to change without notice, for improvement purposes.
- * Colors and materials will be based on our samples and subject to availability.
- * Prices are subject to change without notice.

SENSOR



OUTDOOR, INDOOR & FOR RTS & WT MOTORS

SOLIRIS RTS SENSOR*



Radio sensor that will automatically retract a screen awning based on wind speed and extend based on a preset amount of sunlight. Compatible with Altus RTS, Orea RTS, CSI RTS, Modulis Receiver and the Universal Receiver. Somfy Rolling Code. 200m range in an open area and 20m range through two reinforced concrete walls.

Frequency: 433.42MHz.

IP34.

Supplied with wall mount & screws.

Dimensions: 160 x 236 x 25mm.

Ref. 1818212

SUNIS RTS SENSOR*



Radio sensor that will automatically extend a screen awning based on a preset amount of sunlight. Powered connection not required. Compatible with Altus RTS, Orea RTS, CSI RTS, Modulis Receiver and the Universal Receiver. Somfy Rolling Code. 200m range in an open area and 20m range through two reinforced concrete walls.

Frequency: 433.42MHz.

IP44.

Supplied with wall mount & screws.

Dimensions: Ø100 x 50mm.

Ref. 9013075

HOME MOTION by **somfy**



Terms and Conditions:

- * The above content is for project use only.
- * The technical specifications are subject to change without notice, for improvement purposes.
- * Colors and materials will be based on our samples and subject to availability.
- * Prices are subject to change without notice.

RECEIVER



INDOOR RTS RECEIVERS



CENTRALIS INDOOR RECEIVER*

Indoor radio receiver for connection to a standard motor allowing use via an RTS transmitter.
Compatible with standard 230V motors. Visual motor programming feedback.
Frequency: 433.42MHz.
IP30.
Supplied as flush mount.
Dimensions: 80 x 80 x 45mm.

Ref. 1810096

*Not compatible with Rodeo or Linkeo motors.



Terms and Conditions:

- * The above content is for project use only.
- * The technical specifications are subject to change without notice, for improvement purposes.
- * Colors and materials will be based on our samples and subject to availability.
- * Prices are subject to change without notice.

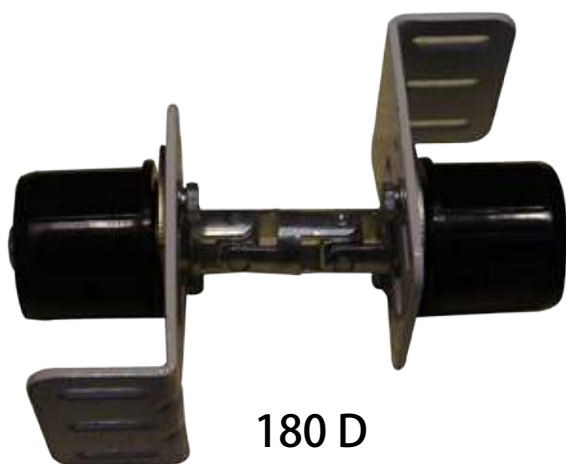
Intermediate support



135 D



90 D



180 D



Terms and Conditions:

- * The above content is for project use only.
- * The technical specifications are subject to change without notice, for improvement purposes.
- * Colors and materials will be based on our samples and subject to availability.
- * Prices are subject to change without notice.

SEDAR SHOWROOM LOCATION

DUBAI

SHEIKH ZAYED ROAD
Tel : +971-4-33 88 66 3
Fax : +971-4-33 88 66 2

AL DHIYAFAH ROAD
Tel : +971-4-345 45 97
Fax : +971-4-345 29 44

MURAQQABAT ROAD
Tel : +971-4-26 26 236
Fax : +971-4-26 88 865

ABU DHABI

TOURIST CLUB AREA
Tel : +971-2-678 44 11
Fax : +971-2-678 80 55

KHALIDIYA ZAYED 1st ST.
Tel : +971-2-633 44 77
Fax : +971-2-633 44 99

AL AIN

OULD ATTOUBA-MANDOOS R/A
Tel : +971-3-766 44 11
Fax : +971-3-766 11 88

SHARJAH

INDUSTRIAL AREA 2
Tel : +971-6-533 22 55
Fax : +971-6-533 83 23

BUHAIRA CORNICHE
Tel : +971-6-572 82 82
Fax : +971-6-572 11 12

DOHA

SALWA ROAD
Tel : +974-469 44 42
Fax : +974-469 44 45

MUSCAT

MUTRAH ATTIJARI
Tel : +968-24 79 00 99
Fax : +968-24 79 00 98

RIYADH

AL TAHLIAH-OLAIYA
Tel : +966-1-464 11 00
Fax : +966-1-416 27 77

KING ABDULLAH ROAD
Tel : +966-1-464 11 00
Fax : +966-1-416 27 77

JEDDAH

AL TAHLIAH STREET
Tel : +966-2-284 50 50
Fax : +966-2-284 51 51

AL KHOBAR

DHARAN ROAD
Tel : +966-3-899 77 33
Fax : +966-3-865 35 15

MADINA

SULTANA STREET
Tel : +966-4-846 44 99
Fax : +966-4-861 44 99

DAMMAM

PRINCE MOHD BIN FAHD ROAD
Tel : +966-3-83 444 33
Fax : +966-3-83 233 99

BAHRAIN

SHIEK HAMAD BRIDGE STREET
Tel : +973-17 2000 20
Fax : +973-17 2000 22

U.A.E. www.sedaremirates.com

Qatar www.sedarqatar.com

Bahrain www.sedarbahrain.com

K.S.A. www.sedarksa.com

Oman www.sedaroman.com

