

Created : 23/06/2009

Designation

POWER 1.5DC W/CABLE UNIV/24V
AC ADAPTER

SDEV-FICA 19

reference

1870149

Revision index R2

range

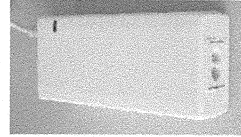
Wired basic control

FUNCTIONS

The POWER 1.5DC W/CABLE UNIV/24V is a power supply interface for 24V DC motors

Power L.E.D. visible in shadow

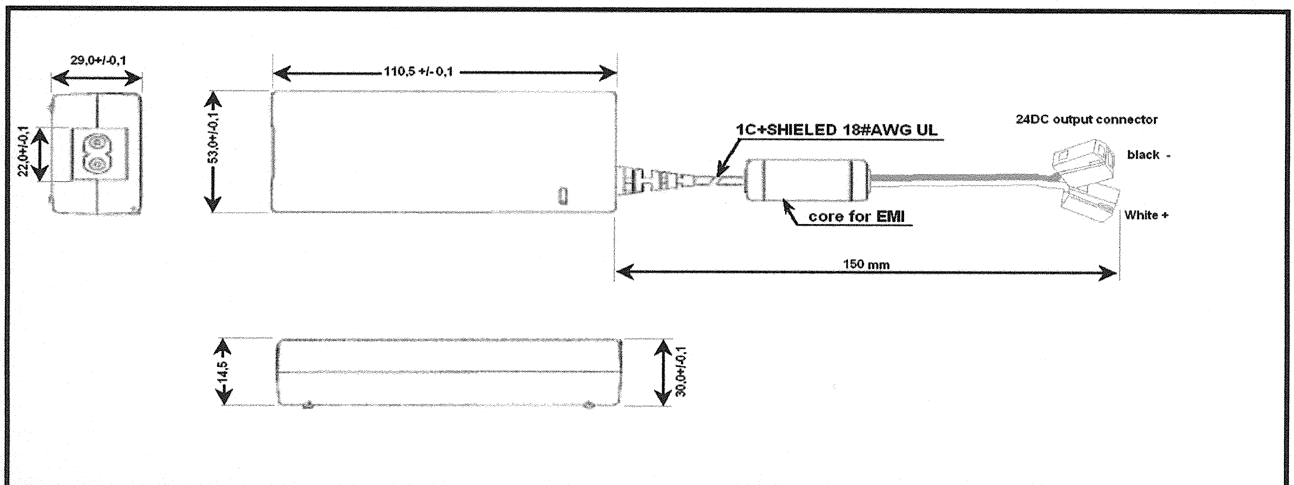
Caution : FOR INDOOR USE ONLY



TECHNICAL SPECIFICATIONS

| | | |
|------------------------------------|---|---|
| BOX | Material Color Size Flammability rating Protection factor Weight (net) | plastic white 110 x 53 x 20 (mm) UL94V-0 IP20 250 g |
| INPUT | Range of supply voltage Frequency No load power consumption Fuse | 90-264 V AC 43-67 Hz 0,5 W no fuse (auto-recovery) |
| OUTPUT | Nominal current Voltage Ripple (peak to peak) Total regulation | 2,7A 24Vdc SELV < 200mV + / - 5% (22,8V to 25,2V) |
| POWER SUPPLY SPECIFICATIONS | Type Time before thermal protector trips | SMPS (switching mode pwr supply) NO |
| STANDARDS | Standards reference Approvals Insulation class | EN60950, UL60950, EN50022 classB CE, UL & CUL listed, TUV, CCC, CB Class II |
| TEMPERATURE RANGE | Working Storage Rate of humidity relative | 0°C to +40°C -20°C to 85°C 95% HR at 30°C |
| CONNECTORS | Input Output | IEC320 C8 (2P) automatic Plugs |

Dimensions (mm)



Project Manager

Franck VIZIER

Quality

Xavier COLET

Visa :

Technical Leader

Patrick LIENART