

SOMFY®

12/02/98

FTS 60 TECHNICAL DATADMKI - FPTE
RANGE 4
FTS60Range4R0

Nominal voltage	200 V - 50/60 Hz
Power supply tolerances	180 - 220V
Thermal time	7 minutes
System thermal time (50 Hz)	dynamic brake and final tension mini : 17 minutes dynamic brake and final tension max : 12 minutes
Number of wires of the cable	5 Non removable 1 m RR-F black cable
Wire section	0,75 mm ²
Type of limit switch unit	Quick limit switch
Capacity of the LSU	35 turns
Repeatability	± 5°
System of protection	IP 44
Interface drawings	Wheel interface LT60 206801-Crown interface LT60, LT60ADF, FTS60 & LT60CSI 206802-Interface drawing star head LT60 206803-Interface drawing LT50&60 buttons 206817.
Basic crown for tube Ø	63 x 1,5 mm
Electronic control box	Ref. ESFT726120 (230V/50-60Hz)
Temperature working range	Normal use : -10°C to +40°C Exceptionnal use (20% of the life time not continuous) : -25°C to + 70°C
Noise level	According to SOMFY measures (for information only).Worse value : in load up direction during 10 seconds.

	Nm	rpm		mm	mm	mm	mm	W	A	°C		kg	dB(A)
Designation	Nominal torque	Nominal speed	reference	L1 max.	L2 (±3 mm)	L3 max.	tube	Rated power	Rated current	Thermal tripping	Brake type	Weight	Noise
FTS 655A4	55	17/20	200516	694	677	700	630	420	2,1	140	coil brake	5	-

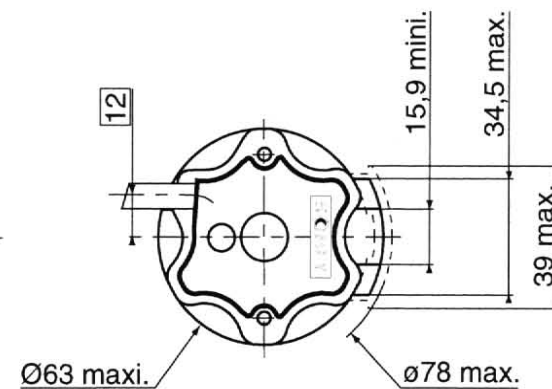
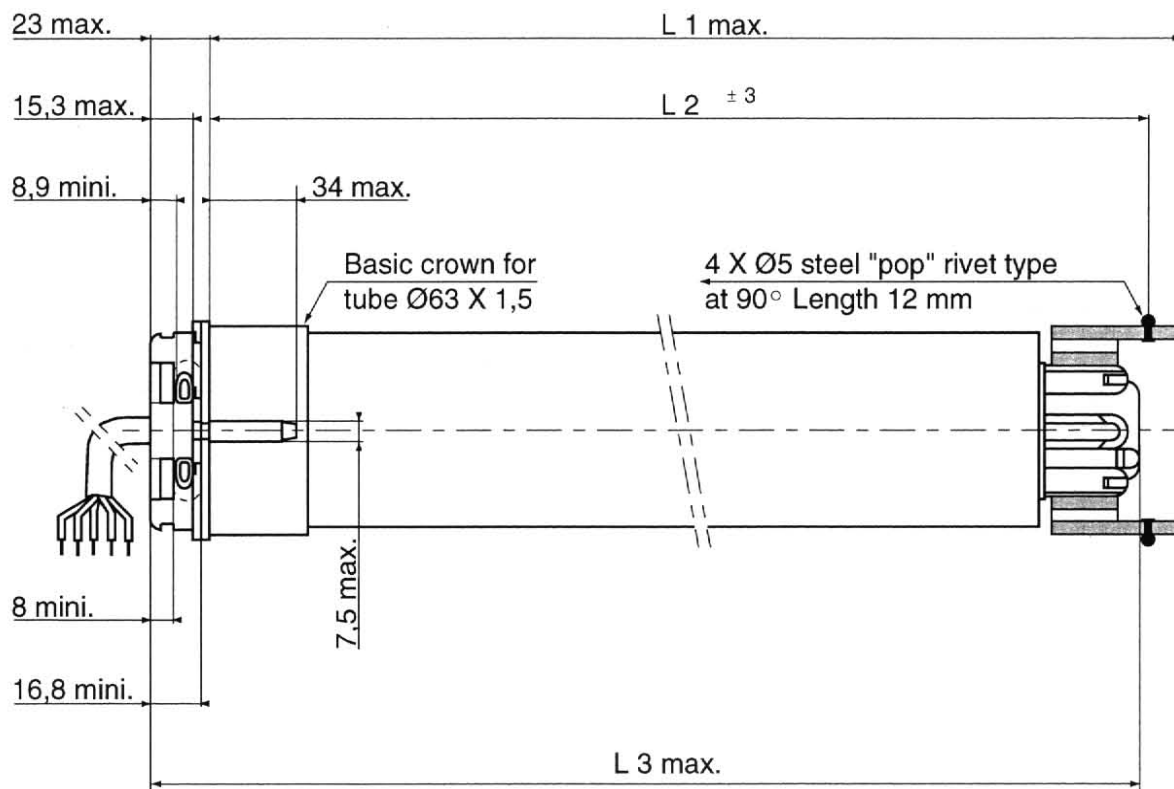


12/02/98

FTS 60 TECHNICAL DATA

RANGE 4

WIRING	Neutral	Blue
	White button	Brown
	Yellow button	Black
	Brake	Grey
	Earth	Green / Yellow



Visa : BEM *[Signature]* Quality *[Signature]* MKI *[Signature]*